

AERO SERIES CEILING FAN

- **INSTALLATION**
- **OPERATION**
- **MAINTENANCE**
- **WARRANTY INFORMATION**

CAUTION

**READ INSTRUCTIONS CAREFULLY FOR SAFE
INSTALLATION AND FAN OPERATION.**

THANK YOU FOR PURCHASING

Thank you for purchasing this quality Lucci product. To ensure correct function and safety, please read all instructions before using the product and keep all instructions for future reference

SAFETY PRECAUTIONS

1. In Europe: This appliance can be used by children aged from 8 years and above and persons with reduced physical, sensory or mental capabilities or lack of experience and knowledge if they have been given supervision or instruction concerning the use of the appliance in a safe way and understand the hazards involved. Cleaning and maintenance shall not be undertaken by children without supervision.
2. In Australia: The appliance is not intended for use by persons (including children) with reduced physical, sensory or mental capabilities, or lack of experience and knowledge, unless they have been given supervision or instruction concerning the use of the appliance by a person responsible for their safety.
3. Children should be supervised to ensure that they do not play with the appliance.
4. An all-pole disconnection switch must be incorporated into the fixed wiring, in accordance with local wiring rules.

IN AUSTRALIA**WARNING:**

**FOR SAFE USE OF THIS FAN AN ALL-POLE DISCONNECTION
MUST BE INCORPORATED INTO THE FIXED WIRING IN
ACCORDANCE WITH THE WIRING RULES.**

As outline in clause 7.12.2 of AS/NZS 60335-1 for meeting the minimum electrical safety of this standard.

Please note warranty will be void if installation is without a means for an all-pole disconnection incorporated in the fixed wiring in accordance with the wiring rules.

Example: If a fan is connected to a circuit that can be isolated via an



all-pole safety switch at the switchboard, then this is considered to be an all-pole disconnection to the ceiling fan electrical circuit, meeting the requirements of clause 7.12.2 of AS/NZS 60335.1.

A single-pole switch on the active of the receiver input of remote control must also be included in the wiring, and located the same room as the ceiling fan.



5. Do not dispose of electrical appliances as unsorted municipal waste, use separate collection facilities. Contact your local government for information regarding the collection systems available. If electrical appliances are disposed of in landfills or dumps, hazardous substances can leak into the ground water and get into the food chain, damaging your health and well-being.
6. The structure to which the fan is to be mounted must be capable of supporting a weight of 30kg.
7. The fan should be mounted so that the blades are at least 2.3 m above the floor in Europe or 2.1 m above the floor in Australia.
8. This fan is suitable for indoor, alfresco and coastal areas where the fan is fully undercover with a minimum of 2 walls. This fan is not waterproof. When installed in an alfresco or coastal area, the ceiling fan must be positioned in a location protected from water, wind and dust. Exposure to these elements will void the warranty. Mounting the fan in a situation where it is subject to water or moisture is dangerous.
9. Only a licensed electrician should execute the installation.

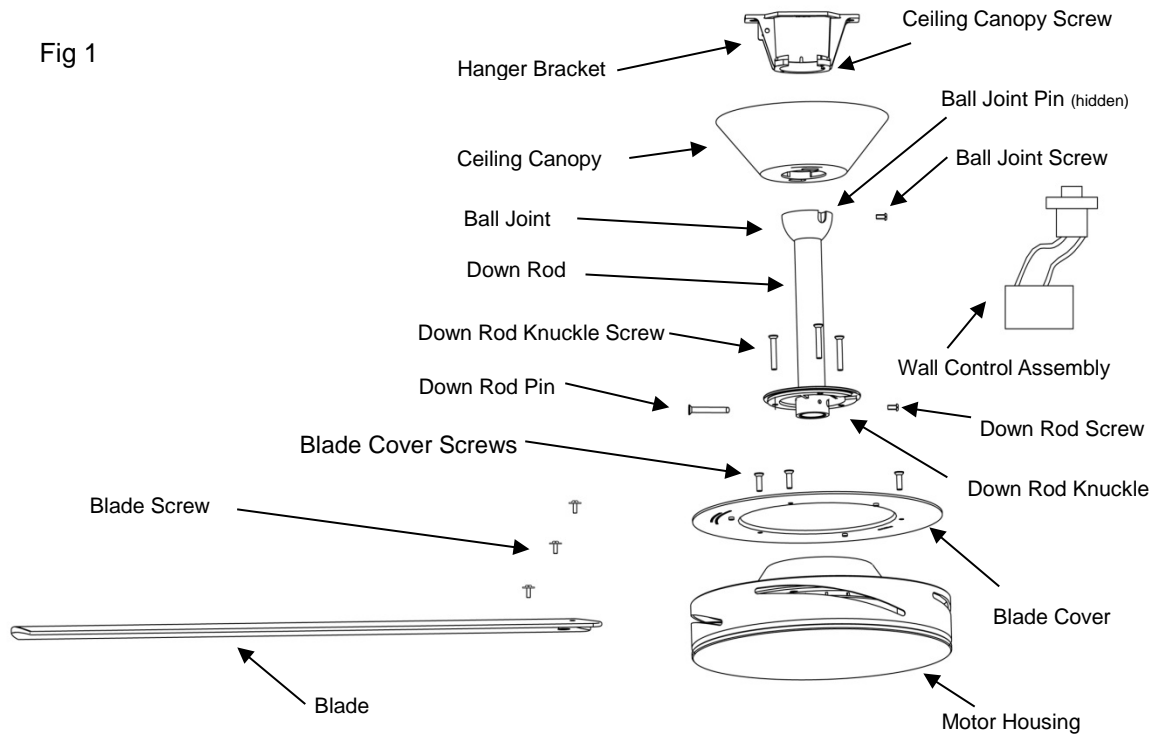


BEFORE INSTALLATION

Unpack your ceiling fan carefully. Remove all parts and hardware. Examine all parts, you should have the following:

Aero fan without light

Fig 1



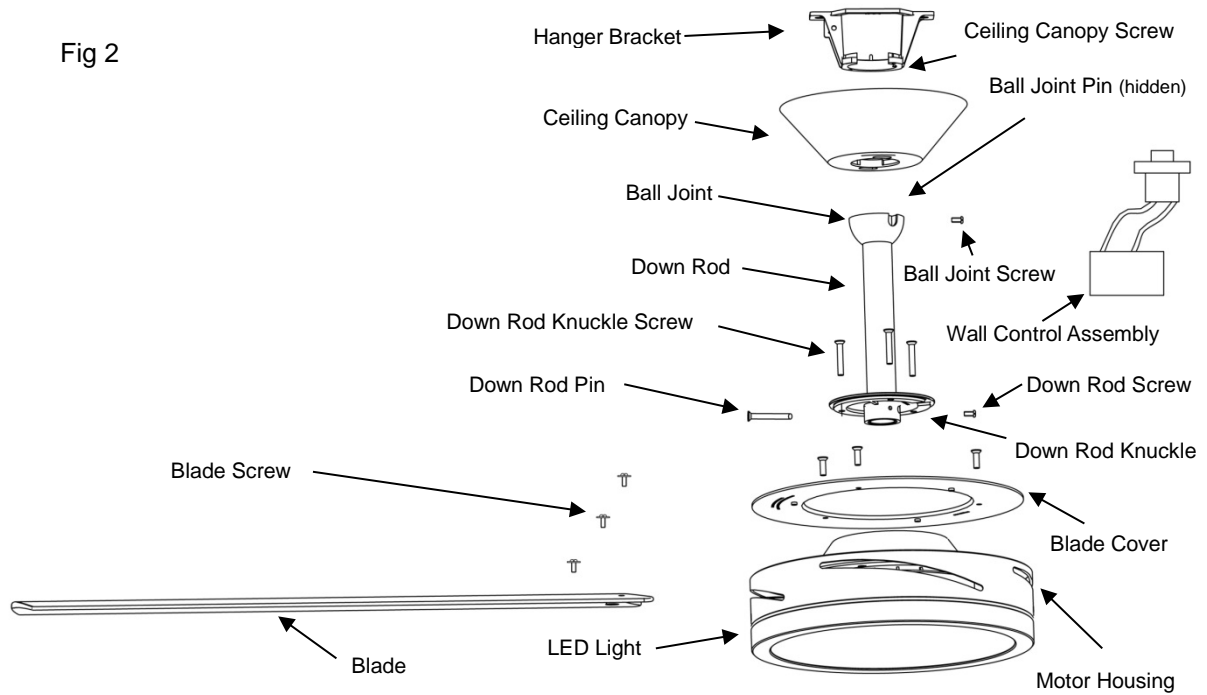
Part	Qty	Part	Qty	Part	Qty
Hanger Bracket	1	Down Rod Pin	1	Motor Housing	1
Bracket Mounting Screw	2	Down Rod (Ø 26mm)	1	Blade	4
Ceiling Canopy Screw	2	Down Rod Screw	2	Blade Screw	12
Ceiling Canopy	1	Down Rod Knuckle	1	Wall Control Assembly (comprising of wall switch, wall knob and capacitor)	1
Ball Joint Pin	1	Down Rod Knuckle Screw	3		
Ball Joint Screw	1	Blade Cover	1		
Ball Joint	1	Blade Cover Screw	3		



This fan is suitable for indoor, alfresco and coastal areas where the fan is fully undercover with a minimum of 2 walls. This fan is not waterproof. When installed in an alfresco or coastal area, the ceiling fan must be positioned in a location protected from water, wind and dust. Exposure to these elements will void the warranty. Mounting the fan in a situation where it is subject to water or moisture is dangerous.

Aero fan with LED light

Fig 2



Part	Qty	Part	Qty	Part	Qty
Hanger Bracket	1	Down Rod Pin	1	Motor Housing	1
Bracket Mounting Screw	2	Down Rod (Ø 26mm)	1	Blade	4
Ceiling Canopy Screw	2	Down Rod Screw	2	Blade Screw	12
Ceiling Canopy	1	Down Rod Knuckle	1	24W LED light, 3000K Warm White (dimnable)	1
Ball Joint Pin	1	Down Rod Knuckle Screw	3	Wall Control Assembly (comprising of wall switch, wall knob and capacitor)	1
Ball Joint Screw	1	Blade Cover	1		
Ball Joint	1	Blade Cover Screw	3		



This fan is suitable for indoor, alfresco and coastal areas where the fan is fully undercover with a minimum of 2 walls. This fan is not waterproof. When installed in an alfresco or coastal area, the ceiling fan must be positioned in a location protected from water, wind and dust. Exposure to these elements will void the warranty. Mounting the fan in a situation where it is subject to water or moisture is dangerous.

INSTALLING THE MOUNTING BRACKET

- The ceiling fan must be installed in a location so that the blades are a minimum 300mm spacing from the tip of the blade to the nearest objects or walls, including angle ceiling panels.
- Secure the hanging bracket to the ceiling joist or structure that is capable of carrying a load of at least 30kg, with the two long screws provided. Ensure at least 30mm of the screw is threaded into the support and the bracket is aligned 'down' (not across) the slope of the ceiling.

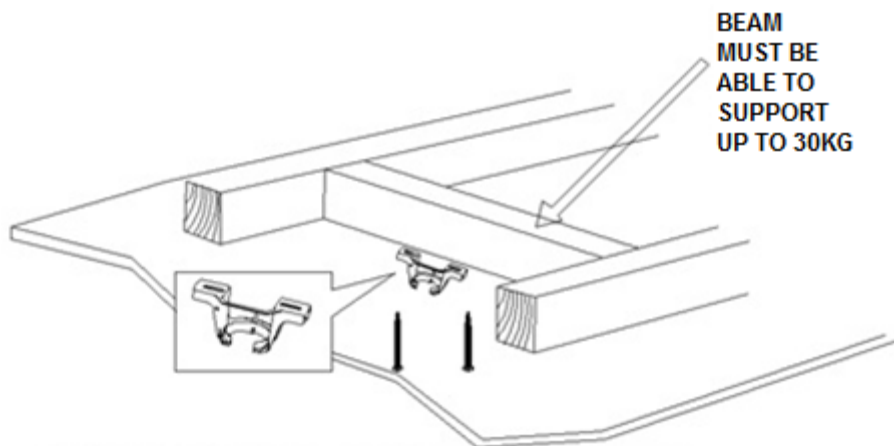


Fig. 3

NOTE: The bracket screws provided are for use with wooden structures only. For structures other than wood, the appropriate screw type MUST be used.

Angled Ceiling Installation

This fan hanging system supports a maximum 20 degree angled ceiling installation.

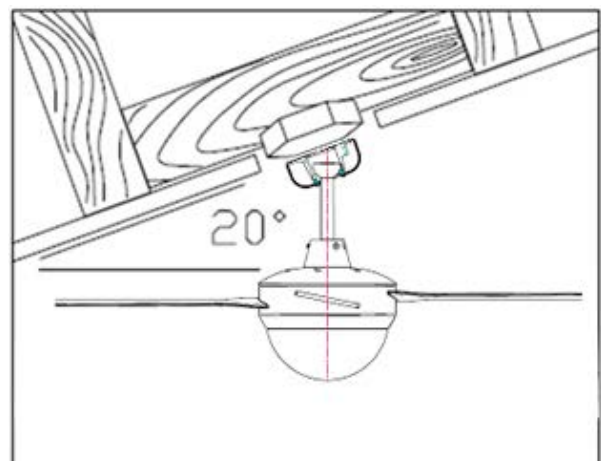


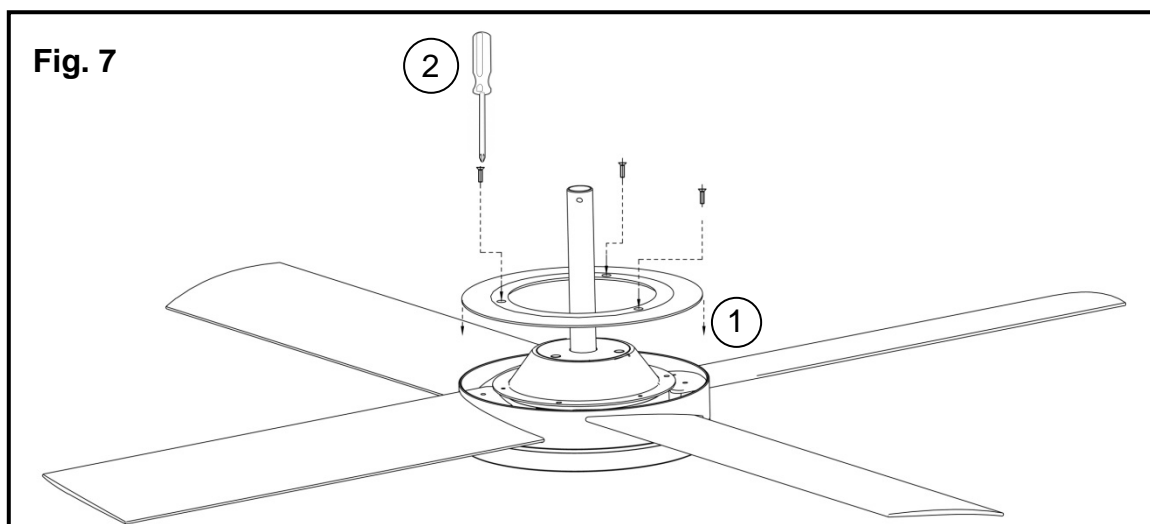
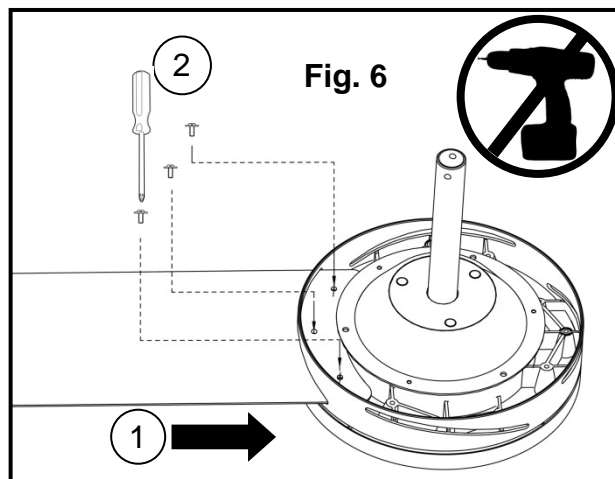
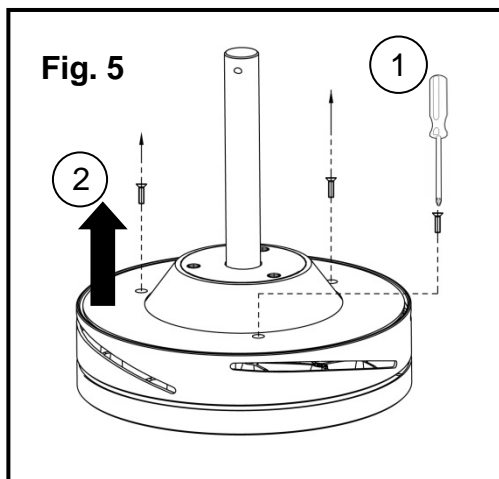
Fig. 4



BLADE INSTALLATION

Note: Never use power tools when assembling the fan

- Fit the blades before suspending the fan motor from the ceiling.
- Remove the blade cover screws and lift up the blade cover (Fig 5)
- Locate the blade screw packet and unpack the blades (look for damage before proceeding).
- Insert the blades through the side slot of the motor and align with the 3 holes.
- Secure the blades with the 3 blade screws, and ensure that the screws are tightened evenly. Do not over tighten the screws as this can damage the blades. Repeat this process for all blades (Fig.6)
- Replace the blade cover and the blade cover screws (Fig 7)



HANGING THE FAN

Lift the fan assembly onto the mounting bracket. Ensure the registration slot (A) of the hanger ball is positioned on the stopper (B) of the mounting bracket (C) to prevent the fan from rotating when in operation. (Fig.8)

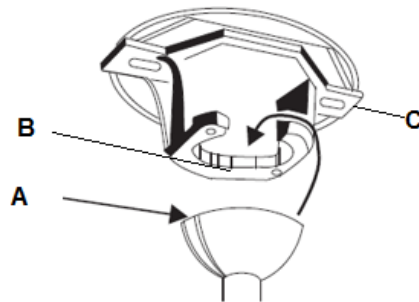


Fig. 8

ELECTRICAL WIRING DIAGRAM

WARNING: FOR YOUR SAFETY ALL ELECTRICAL CONNECTIONS MUST BE UNDERTAKEN BY A LICENSED ELECTRICIAN.

NOTE: AN ADDITIONAL ALL POLE DISCONNECTION MUST BE INCORPORATED IN THE FIXED WIRING IN ACCORDANCE WITH THE WIRING RULES AND PRODUCT SAFETY STANDARD.

NOTE: Wiring diagram includes the light kit wiring. The light wiring diagram and switch is omitted when no light kit is used with the ceiling fan.

USE WITH WALL SWITCH WIRING DIAGRAM:

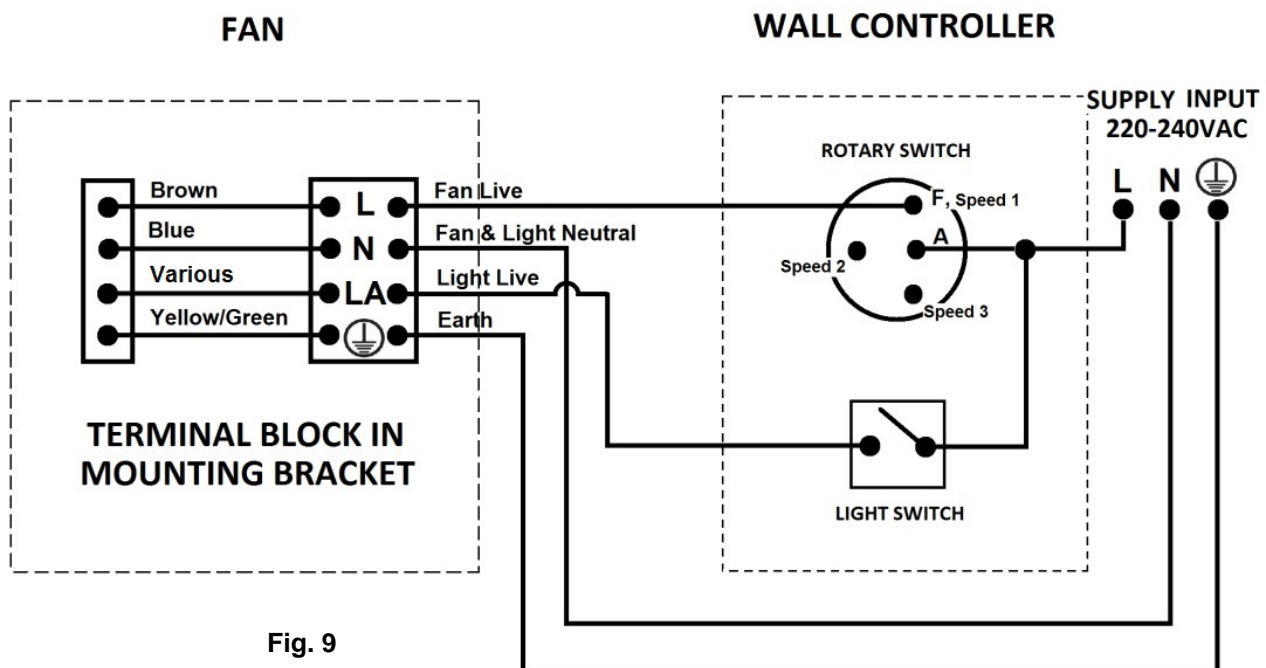


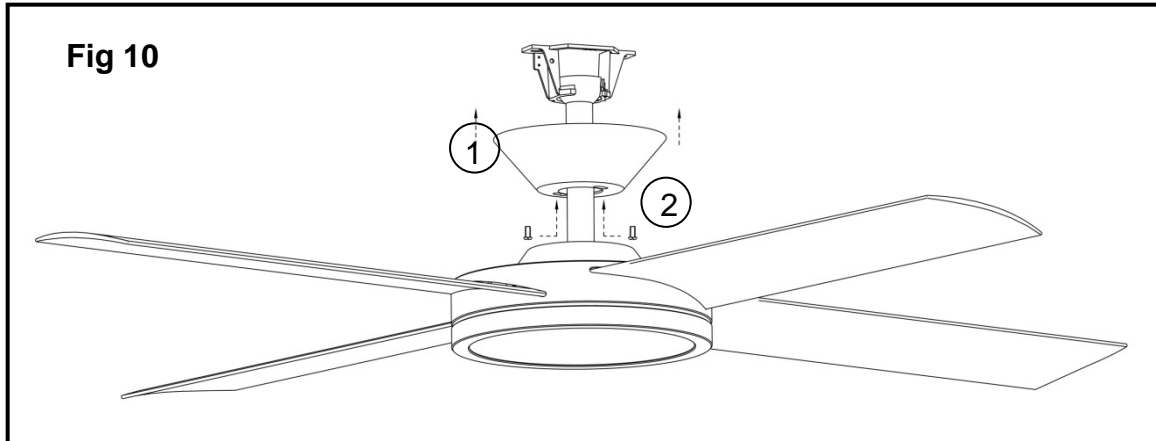
Fig. 9



This fan is suitable for indoor, alfresco and coastal areas where the fan is fully undercover with a minimum of 2 walls. This fan is not waterproof. When installed in an alfresco or coastal area, the ceiling fan must be positioned in a location protected from water, wind and dust. Exposure to these elements will void the warranty. Mounting the fan in a situation where it is subject to water or moisture is dangerous.

COMPLETING THE INSTALLATION

- After completing the electrical connection at the mounting bracket terminal block, connect the ceiling fan wiring by the quick connector plug.
- Loosen the screws in the bottom of the bracket then cover the mounting bracket with the canopy (1). Ensure all electrical wiring is tucked inside the canopy and that the wires are not damaged during this step. Secure the canopy to the hanger bracket using the screws provided (2).



USING YOUR CEILING FAN

FAN WALL CONTROL

Turn on the power and check the operation of the fan.

- OFF Position – Fan off
- 3rd Position – High fan speed
- 2nd Position – Medium fan speed
- 1st Position – Low fan speed



Fig 11

REVERSE FUNCTION

Your ceiling fan can operate either in fan mode or reverse fan mode.

SUMMER Mode: The reverse switch should be in the “left” (SUMMER) position to rotate the fan in an anticlockwise direction. The airflow will be directed downwards, for cooling in summer (Fig 12).

WINTER Mode: The reverse switch should be in the “right” (WINTER) position to rotate the fan in a clockwise direction. The airflow will be directed upwards, for energy conservation in winter (Fig 13).



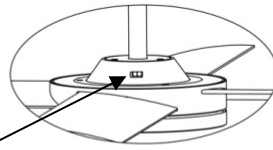
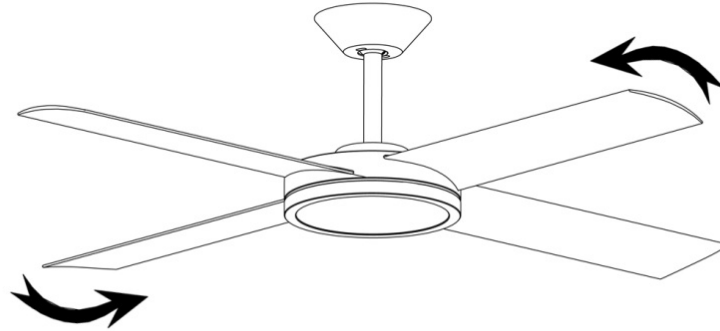


Fig 12

Reverse Switch to the left



Direction fan will spin in FWD (Summer) mode when viewed from underneath

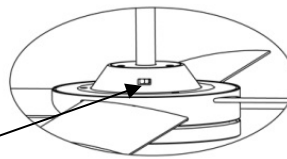
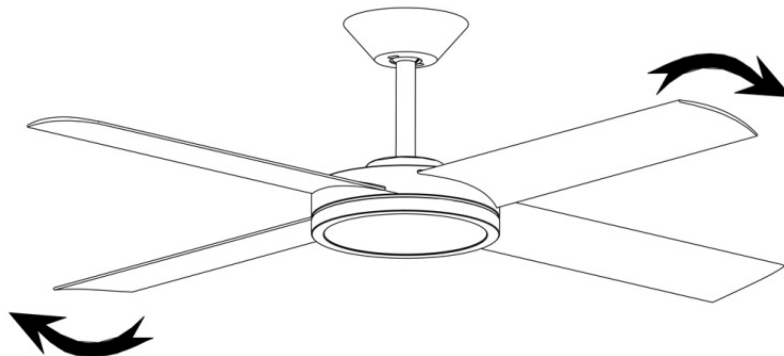


Fig 13

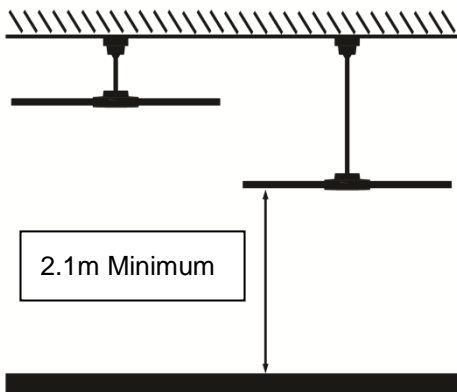
Reverse Switch to the right



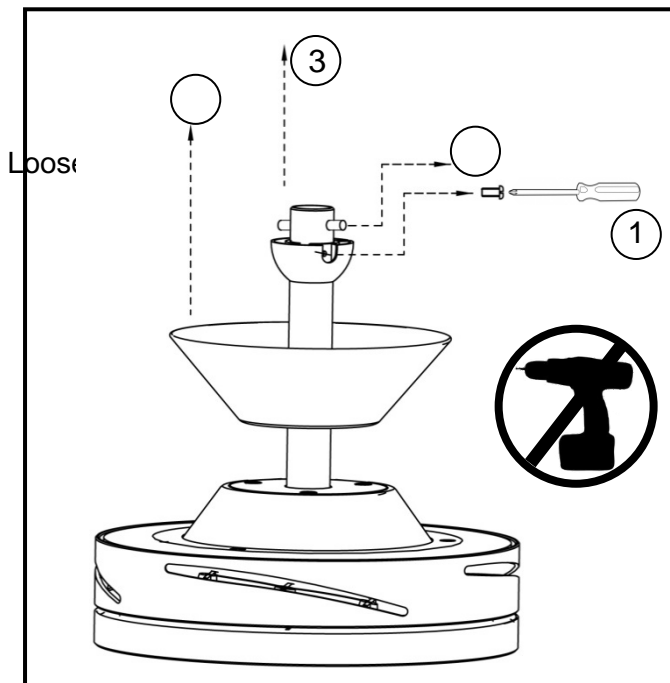
Direction fan will spin in REVERSE (Winter) mode when viewed from underneath



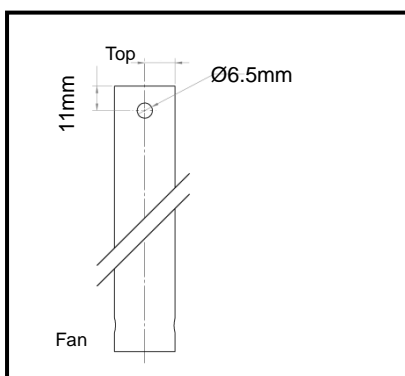
INSTALLING AN EXTENSION ROD



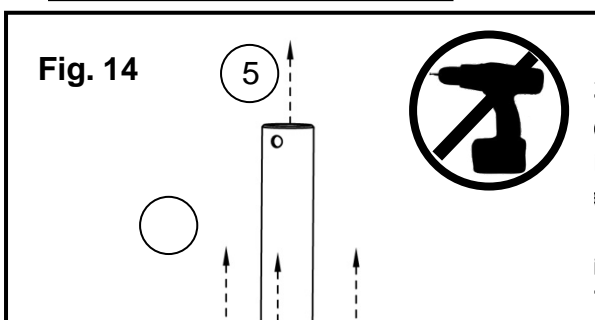
When using extension rods the lower edge of the fan blades must be more than 2.1m above floor level in Australia and more than 2.3m in Europe.



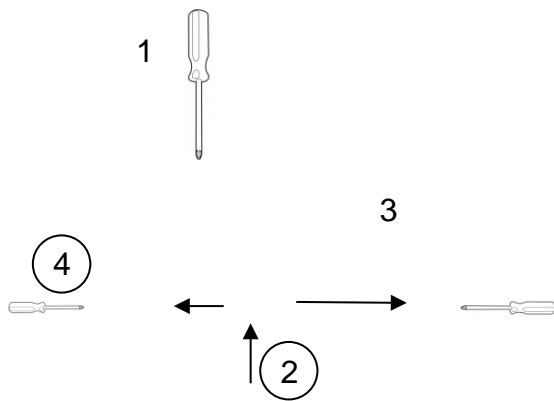
- 1 Lower the ball joint slightly and remove pin (2)
- 2 Remove ball joint from down rod (3)
- 3 Remove ceiling canopy from down rod (4)



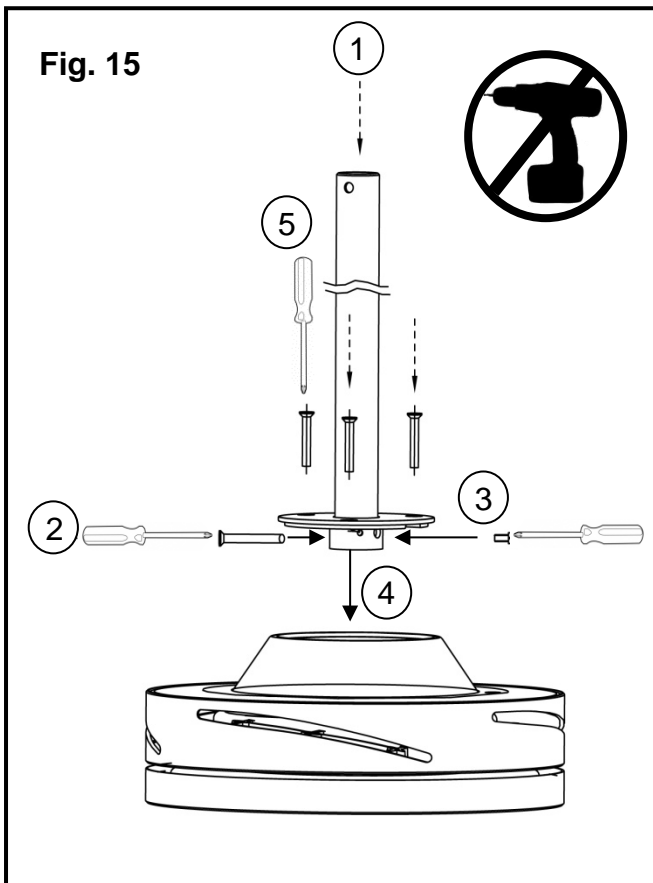
Drill a 6.5mm diameter hole through the down rod 11.0mm below the top edge. The hole must be in the exact centre of the down rod and drilled straight through (if drilled at an angle the fan may wobble).



Indoor, alfresco and coastal areas where the fan is fully protected by a minimum of 2 walls. This fan is not waterproof. When installed in an outdoor area, the ceiling fan must be positioned in a location protected from dust. Exposure to these elements will void the warranty. Installation in a situation where it is subject to water or moisture is dangerous.



- Remove the 3 down rod knuckle screws (1)
- Lift the knuckle assembly from the motor (2)
- Loosen the 2 down rod screws (3)
- Remove the down rod pin (4)
- Withdraw the down rod from the knuckle (5)



- Fit the new down rod into the knuckle (1)
- Put the down rod pin back into position (2)
- Note: reinstall cotter pin in down rod pin
- Tighten the 2 down rod screws (3)
- Place knuckle assembly back onto the motor (4)
- Refit and tighten the 3 knuckle screws (5)

Warning: Never tighten screws using power tools as this may damage the threads in the die cast parts and cause the fan to wobble. Stripped threads are not covered by warranty.



AFTER INSTALLATION

WOBBLE:

NOTE: Ceiling fans tend to move during operation due to the fact that they are mounted on a ball joint. If the fan was mounted rigidly to the ceiling it would cause excessive vibration and damage to the fan or ceiling. Movement of a few centimetres is quite acceptable and DOES NOT suggest any problem.

TO REDUCE FAN WOBBLE: Please check that all screws which fix the mounting bracket and down rod are secure. Do NOT use counter sunk screws to secure the bracket to the ceiling as they will allow the bracket to move and the create fan wobble no matter how tightly they are secured. Most wobbling is caused by incorrect fan installation or due to objects, ceilings or walls being too close to the fan, or air currents cause the fan to move. A balancing kit is not required as the ceiling fan motor is balanced during production and the blades are injection moulded.

NOISE:

When it is quiet (especially at night) you may hear occasional small noises. Slight power fluctuations and frequency signals superimposed in the electricity for off-peak hot water control, may cause a change in fan motor noise. This is normal. Please allow a 24-hour “breaking-in” period, most noises associated with a new fan disappear during this time. All electric motors are audible to some extent. Please note that this is not a product fault, and as such is not covered under warranty.

CARE AND CLEANING:

- Periodic cleaning of your ceiling fan is the only maintenance required. Use a soft brush or lint free cloth to avoid scratching the paint finish. Please turn off electricity power when you do so.
- Do not use water when cleaning your ceiling fan. It could damage the motor or the blades and create the possibility of an electrical shock.
- The motor has a permanently lubricated ball bearing so there is no need to oil.

NOTE: Always turn OFF the power at the mains switch before attempting to clean your fan.

TECHNICAL INFORMATION

Ceiling Fan model	Rated Voltage	Rated Power (motor)	Rated Power (lamp)
AERO 52” without light	220-240 VAC	60W	n/a
AERO 52” with LED light	220-240 VAC	60W	LED , 24W dimmable



NOTES AND INFORMATION

Please use this page to record information about your fan and its installation that may not be covered elsewhere.

Examples are:

- **The circuit breaker or safety switch number supplying power to this fan**
- **An inspection schedule (if mounted outdoors we recommend fans should be checked for damage every 12 months or after severe weather)**



This fan is suitable for indoor, alfresco and coastal areas where the fan is fully undercover with a minimum of 2 walls. This fan is not waterproof. When installed in an alfresco or coastal area, the ceiling fan must be positioned in a location protected from water, wind and dust. Exposure to these elements will void the warranty. Mounting the fan in a situation where it is subject to water or moisture is dangerous.

LUCCI CEILING FAN WARRANTY DETAIL

LUCCI WARRANTY HOTLINE- 1800 602 243

THIS WARRANTY IS VALID IN AUSTRALIA ONLY

In the event of service being required, please call the Lucci Fan Warranty Hotline on 1800 602 243 between 9am & 5pm (EST) Monday to Friday. Please make sure you have all the ceiling fan details filled out at the end of the manual before making the call.

Every Lucci ceiling fan is thoroughly inspected and tested before being released for sale. In addition to any warranty rights or conditions under statutory regulations, Lucci warrants all of its ceiling fans against defective workmanship and faulty materials for twenty four (24) months from the date of purchase. Lucci undertakes, at its option, to repair or replace, free of charge, each product or part thereof on condition that;

1. The fan or relevant part has not been subjected to misuse, neglect, or been involved in an accident.
2. The repairs are not required as a result of normal wear and tear.
3. The product was installed by a licensed electrical contractor.
4. A copy of the original receipt of purchase is presented.
5. 12 month warranty applies when used in any non-domestic applications.
6. This warranty does not cover stains, scratch and scuff marks, or dents if the product is purchased through a factory outlet or to refurbished items.

Our goods come with guarantees that cannot be excluded under the Australian Consumer Law. You are entitled to a replacement or refund for a major failure and compensation for any other reasonably foreseeable loss or damage. You are also entitled to have the goods repaired or replaced if the goods fail to be of acceptable quality and the failure does not amount to a major failure.

Lucci Design cannot be held responsible for any repair other than those carried out by it or one of its Authorised Service Agents. Please keep this warranty information in a safe place. This information must be produced in the event of service being required.

Distributed by:

Beacon Lighting
140 Fulton Drive
Derrimut, Victoria, 3030
Australia
Ph +613 9368 1000
Fax +613 9360 9332
Email: warranty@beaconlighting.com.au



This fan is suitable for indoor, alfresco and coastal areas where the fan is fully undercover with a minimum of 2 walls. This fan is not waterproof. When installed in an alfresco or coastal area, the ceiling fan must be positioned in a location protected from water, wind and dust. Exposure to these elements will void the warranty. Mounting the fan in a situation where it is subject to water or moisture is dangerous.

CEILING FAN WARRANTY INFORMATION

LUCCI WARRANTY HOTLINE- 1800 602 243

Complete and retain this form for your personal records and warranty purposes.

NAME.....

ADDRESS.....

.....POSTCODE.....

MODEL NUMBER.....

PO NUMBER or DATECODE (PO# + DATECODE Sticker here)

DATE OF PURCHASE.....

INSTALLING LICENSED ELECTRICIAN.....

.....

LICENCE No.....

ATTACH PROOF OF PURCHASE HERE

THIS COMPLETED DETAIL PAGE SHOULD BE PRODUCED AND FAXED TO THE WHOLESALE OR THEIR AUTHORISED AGENTS BEFORE OBTAINING WARRANTY SERVICE



This fan is suitable for indoor, alfresco and coastal areas where the fan is fully undercover with a minimum of 2 walls. This fan is not waterproof. When installed in an alfresco or coastal area, the ceiling fan must be positioned in a location protected from water, wind and dust. Exposure to these elements will void the warranty. Mounting the fan in a situation where it is subject to water or moisture is dangerous.