

CEILING FAN MANUAL

- **INSTALLATION**
- **OPERATION**
- **MAINTENANCE**
- **WARRANTY INFORMATION**



**LUCCI
AIRFUSION AIRLIE ECO SERIES
E27 LAMP HOLDER
CEILING FANS**

CAUTION

**READ INSTRUCTIONS CAREFULLY FOR SAFE
INSTALLATION AND FAN OPERATION.**

CONGRATULATIONS ON YOUR CHOICE

CONGRATULATIONS, as you have just chosen a quality ceiling fan.

SAFETY PRECAUTIONS

The information contained in the following pages has been prepared to ensure you of trouble-free operation of your ceiling fan.

1. To ensure the success of the installation be sure to read the instructions and study the diagrams thoroughly.
2. For your safety, all electrical connection and disconnection must be performed by a licensed electrician.
3. All electrical work should only be undertaken after disconnection of the power by removing fuses or turning off the circuit breaker to ensure all pole isolation of the electrical supply. If you are in any doubt the services of a qualified electrician should be sought to ensure that all work is carried out in accordance with the local regulations, current good practice and other national and local electrical codes.
4. Make sure that your installation location will not allow the rotating fan blades to come into contact with any object and that there is a minimum clearance of 30cm from the blade tip to the wall or nearest object. Please note that the bigger this clearance is the better the airflow from your fan will be. Ensure the blades are mounted at a minimum height of 2.1 meters from the floor when the fan is installed.
5. The fixing point for the fan must be able to support a weight of at least 30kg. If you are mounting the fan to a ceiling junction box, the box and it's fixing must be able to support the moving weight of the fan and must not twist or work loose.
6. The fan must be earthed.
7. Do not connect the fan motor to a dimmer switch. This may give an unsatisfactory performance (motor hum) and cause damage to the motor. Only use the supplied wall controller.
8. It is not recommended that ceiling fans and gas appliances be operated in the same room at the same time.
9. The fan must be turned off and stopped completely before reversing the fan direction. This will prevent any damage to the motor of the unit or controller (if installed).
10. Do not insert anything into the fan blades while the fan is operating, as this may cause person injury, damage the blades, and upset the balance of the unit causing the unit to wobble.
11. After the fan is completely installed make sure that all connections are secured and tightened to prevent any problems.
12. Because of the fans natural movement, some connections may loosen. Check the support connections, brackets and blade attachments twice a year to make sure they are all secured. If they are loose, tighten with a screwdriver.

Note: The important safeguards and instructions given in this manual are not meant to cover all possible conditions and situations that may occur. It must be understood that common sense, caution and care are factors, which cannot be built into any product. The persons caring for and using the unit must supply these factors.

For installation advice, or in the unlikely event of damaged or missing parts please consult a licensed electrician.

IMPORTANT NOTES

FAN CONTROL

Your warranty will be void if a solid-state dimmer type fan controller or other band wall controller is used. **ONLY** use the wall controller supplied. With these controllers there is a strong possibility that the ceiling fan motor will produce an unpleasant load humming noise.

FAN INSTALLATION

Under our warranty terms, this ceiling fan must be installed by a licensed electrician. Improperly installed ceiling fans can be dangerous and expensive to repair. This will void the warranty too. This fan is designed for indoor use only. Mounting the fan where it is subject to water or moisture can be dangerous and also void the warranty.

FAULT FINDER

Always check the “Trouble Shooting Checklist” included in this booklet before reporting a fault. Unnecessary calls are inconvenient for all and can attract a service charge.

MECHANICAL NOISE MAY BE NOTICED ON INSTALLATION-ALLOW AT LEAST 8 HOURS SETTLING-IN PERIOD. SOME FANS WOBBLE MORE THAN OTHERS—EVEN IN THE SAME MODEL, IT DOES NOT MEAN THE FAN IS FAULTY.

WARNING

This appliance is not intended for use by persons (including children) with reduced physical, sensory or mental capabilities, or lack of experience and knowledge, unless they have been given supervision or instruction concerning use of the appliance by a person responsible for their safety.

Children should be supervised to ensure that they do not play with the appliance.

The fan must be installed so that the blades are at least 2.1 meters above the floor.

The important safeguards and instruction appearing in this manual are not meant to cover all possible conditions and situation that may occur. It must be understood that common sense, caution and care are factors, which cannot be built into any product. These factors must be supplied by the person(s) caring for and operating the unit.

BEFORE INSTALLATION

Unpack your ceiling fan carefully. Remove all parts and hardware. Place fan motor on a cloth or soft surface to avoid damaging the finish.

Do not lay motor housing on its side as the decorative housing may become bent or damaged.

Verify that all parts are present before starting assembly.

Check the packaging carefully for missing parts.

Examine all parts. You should have the following:

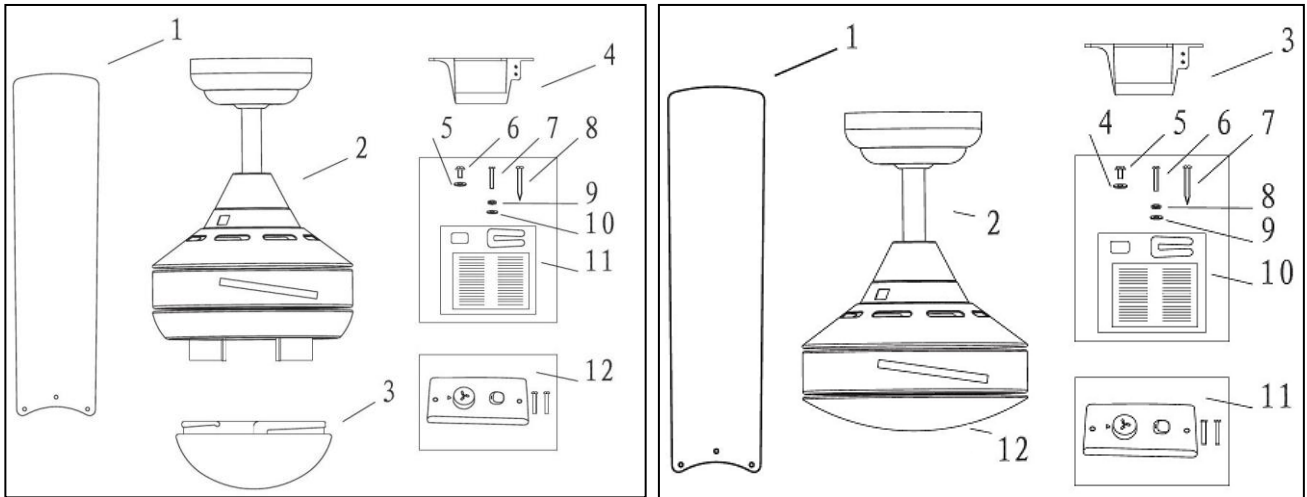


Fig.1

AIRLIE FAN WITH LIGHT

1. **Blades x 4**
2. **Pre-assembled Fan motor, down rod, and canopy x 1**
3. **Glass shade x 1**
4. **Hanger Bracket x 1**
5. **Flat washers for blade screw x 13**
6. **Blade screws x 13**
7. **Screws x 2**
8. **Wooden screws for mounting bracket x 2**
9. **Spring washers x 2**
10. **Flat washers x 2**
11. **Balancing kits x 1 set**
12. **Wall controller x 1 set**

AIRLIE FAN WITHOUT LIGHT

1. **Blades x 4**
2. **Pre-assembled Fan motor, down rod, and canopy x 1**
3. **Hanger Bracket x 1**
4. **Flat washers for blade screw x 13**
5. **Blade screws x 13**
6. **Screws x 2**
7. **Wooden screws for mounting bracket x 2**
8. **Spring washers x 2**
9. **Flat washers x 2**
10. **Balancing kits x 1 set**
11. **Wall controller x 1 set**
12. **Bottom cover plate x 1**

INSTALLATION INSTRUCTIONS

NOTE: Unlike most ceiling fans, you must attach the blades to the motor housing **BEFORE** mounting the motor to the ceiling. When installing more than one fan, ensure that the blades sets are not mixed up as each set is dynamically balanced.

The **AIRLIE SERIES** ceiling fan are now packaged with the motor, down rod and canopy cover pre-assembled. Before installation, please check to ensure all screws and nuts are re-tightened as they may become loose during transportation.

TOOLS REQUIRED

- Phillips head screw driver
- Flat head screw driver
- Pair of pliers
- Step ladder
- Wire cutter
- Wiring, supply cable as required by AS/NZS 3000 wiring code.

INSTALLING THE FAN

1. The ceiling fan must be installed in a location so that the blades are at least 2.1 meters above the floor, and 300mm spacing from the tip of the blade to the nearest objects or walls.
2. Secure the hanging bracket to the ceiling joist or structure that is capable of carrying a load of at least 30KG, with two long screws provided. Ensure at least 30mm of the screw is threaded into the support. Fig 2.

NOTE: Ensure the mains power supplies are switched **OFF** during installation.

NOTE: The bracket screw provided is for use with wooden structure only. For structures other than wood, the appropriate screw type **MUST** be used.

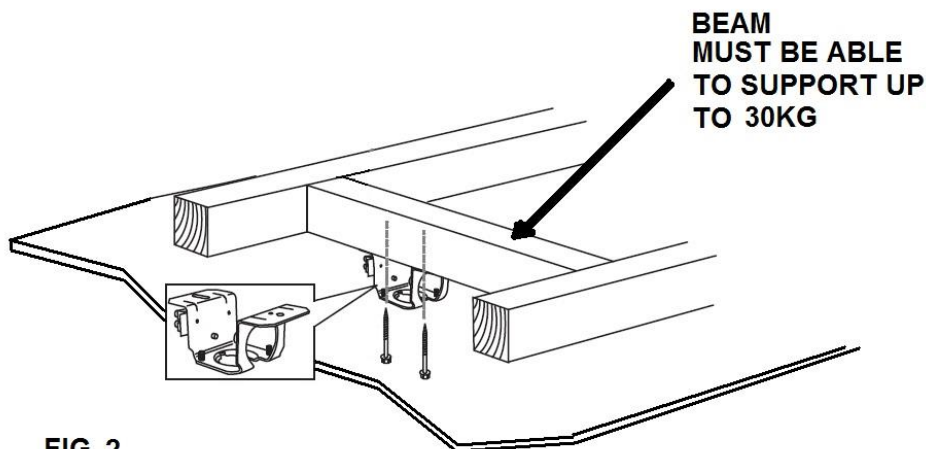


FIG. 2

NOTE: PICTURE IS FOR REPRESENTATION ONLY AND DO NOT REPRESENT THE ACTUAL BRACKET.

3. Remove the two screws from the covering plate on top of the motor housing (Fig. 4), and remove the plate.

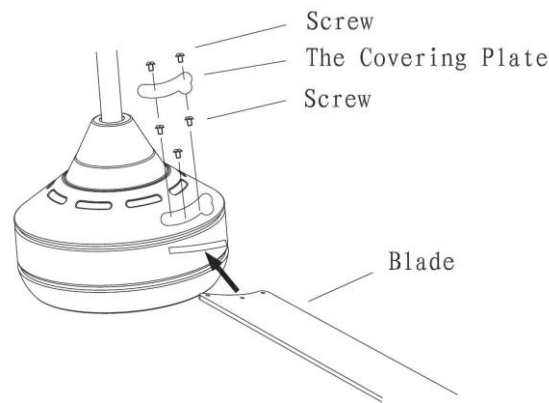


Fig 4.

4. Insert the blade through the slots around the motor. Align the blade with the three holes, and secure the three screws through the opening exposed when the covering plate was removed. If the holes do not align, the blade is upside down. The blade is designed to fit snugly; the screws should be vertical with the blade. Tighten all blade screws evenly and securely to ensure quiet, wobble free operation of the fan. Repeat this process for all blades. Replace the covering plate on top of the motor housing. Fig.4.
5. Carefully lift the fan and seat the down rod ball assembly into the spacing allocated in the mounting bracket and lock the ball into place. Fig. 5

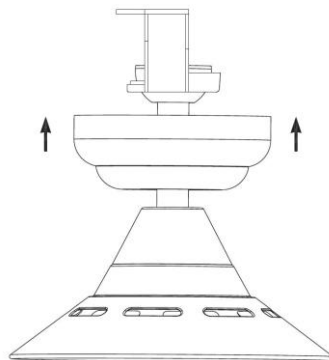


Fig.5

6. Insert and secure the light bulbs (Max. 15W CFL Spiral only, not included) into the ES sockets as shown in Fig.6.
NOTE: FOR FAN MODELS WITHOUT LIGHT, IGNORE THIS INSTALLATION PROCESS.
7. Carefully place the glass shade cover over the lamp and twist clockwise to lock it. The glass shade must be inserted correctly before you can lock it in, so check the locking mechanism when performing this task. Fig.7.
NOTE: FOR FAN MODELS WITHOUT LIGHT, IGNORE THIS INSTALLATION PROCESS.
8. Refer to the wiring diagram provided for Electrical Connection/installation. Fig. 8 & 9
WARNING: To prevent electrical shock or risk of fire, do not attempt to perform the electrical connection wiring yourself. All electrical connections must be carried out by a qualified licensed electrician.
NOTE: An additional all pole disconnection switch must be included in the fixed wiring.
9. After completing the electrical wiring at the mounting bracket terminal and connecting the fan motor and fixed wiring via the quick connector, cover the mounting bracket with the canopy cover. Ensure all electrical wirings are tucked inside the canopy cover and that they are not damaged during this step, and secure with screws. Fig.10

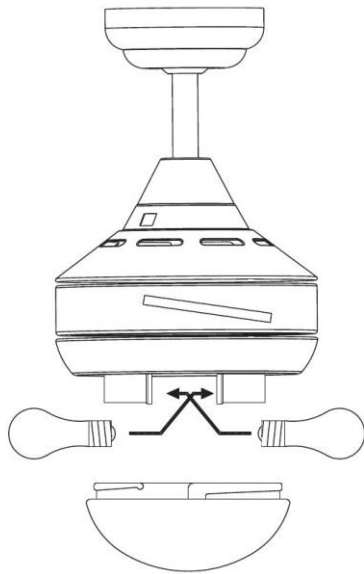


Fig.6

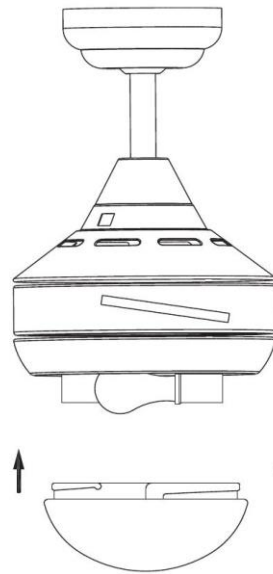


Fig.7

ELECTRICAL WIRING DIAGRAM

WARNING: FOR YOUR SAFETY ALL ELECTRICAL CONNECTIONS MUST BE UNDERTAKEN BY A LICENCED ELECTRICIAN

NOTE: AN ADDITIONAL ALL POLE DISCONNECTION SWITCH MUST BE INCLUDED IN THE FIXED WIRING.

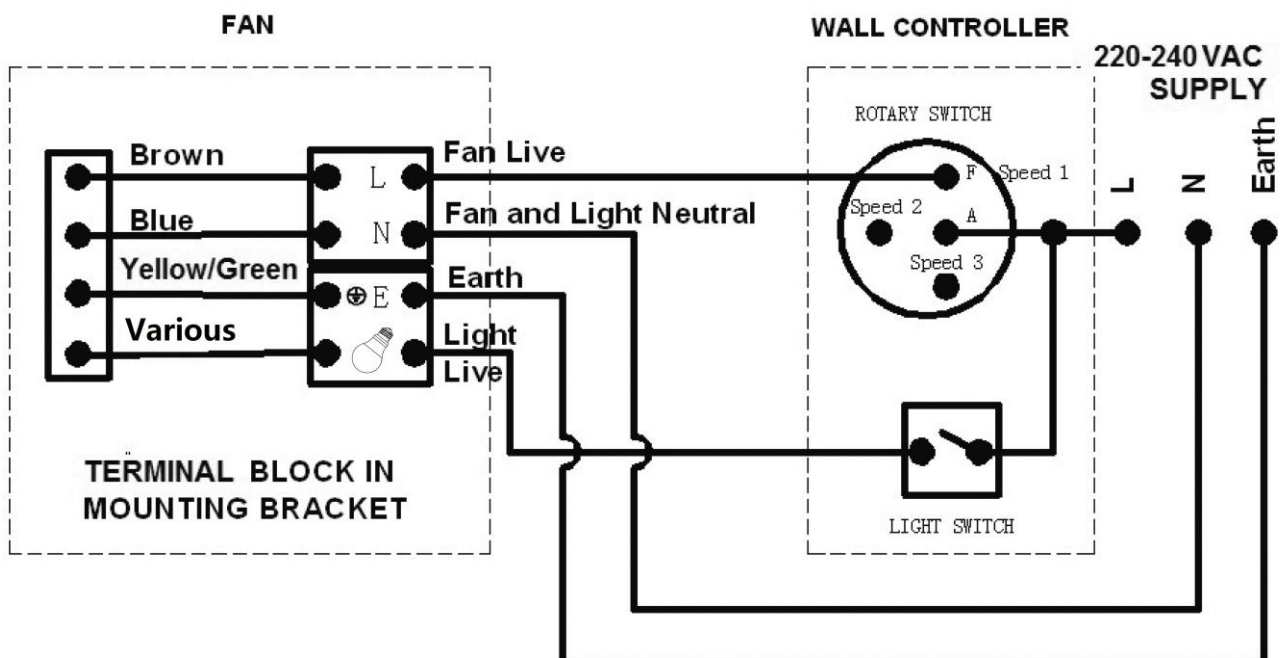


Fig.8 Wiring diagram

NOTE: The light switch wiring diagram is omitted for models that do not have the light feature.

ROTARY SWITCH & CAPACITOR WIRING DIAGRAM

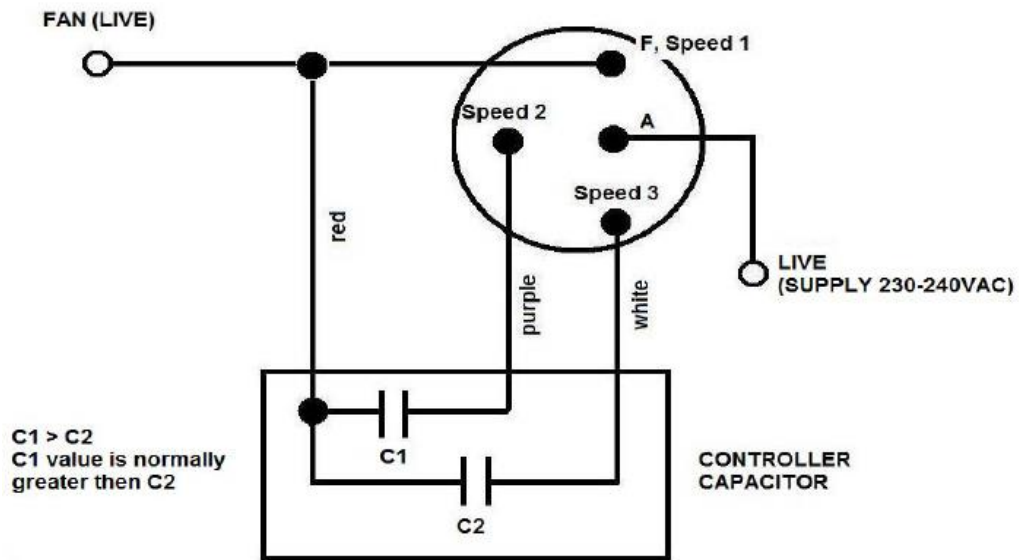


Fig. 9 Rotary switch and controller capacitor wiring diagram.

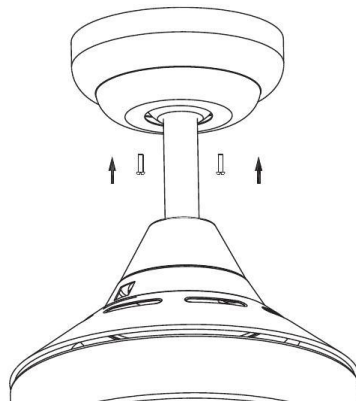
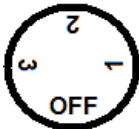
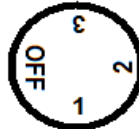
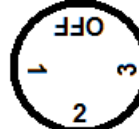




Fig. 10 Secure the canopy with screws

USING YOUR CEILING FAN

FAN WALL CONTROL

Your ceiling fan is controlled via the rotary switch (fan) and rocker switch (light) via the wall controller. Refer to Fig.11

SWITCH POSITION	DESCRIPTION
	OFF – FAN IS OFF
	1 – FAN IS “ON”, SPEED = HIGH
	2 – FAN IS “ON”, SPEED = MEDIUM
	3 – FAN IS “ON”, SPEED = LOW
	LIGHT SWITCH – Toggle to switch ON/OFF the light

WALL CONTROLLER

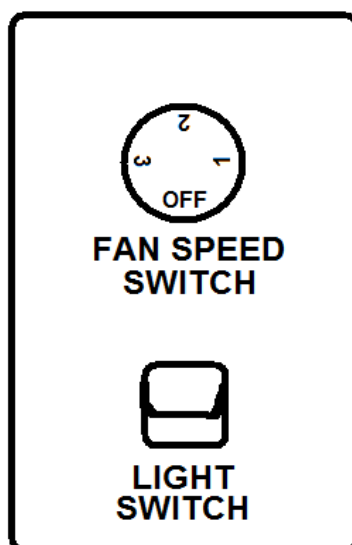


FIG. 11 Fan Wall Controller

REVERSING SWITCH

Your ceiling can operate either in fan mode or reverse fan mode.

SUMMER Mode: The reverse switch shall be in “down” (SUMMER) position to make the fan rotate in the anticlockwise direction. The airflow will be directed downwards, for cooling in summer.

WINTER Mode: The reverse switch shall be “up” (WINTER) position to make the fan rotate in clockwise direction. The airflow will be directed upwards, for energy conservation in winter.

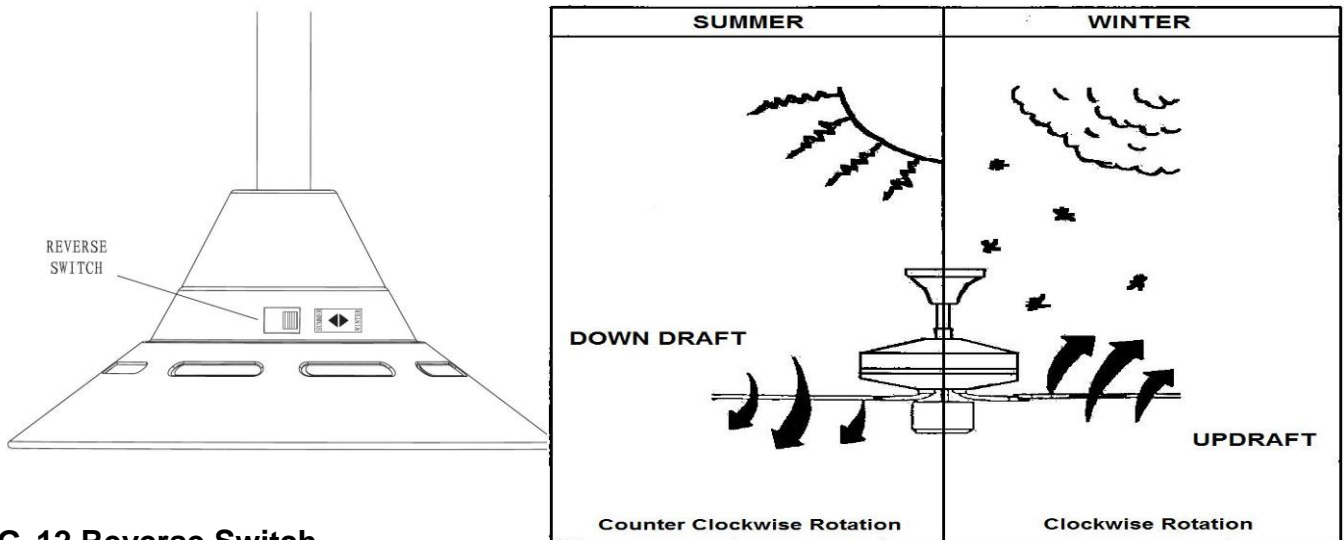


FIG. 12 Reverse Switch

LIGHT FUNCTION

NOTE: FOR FAN MODELS WITHOUT LIGHT, IGNORE THIS PROCESS.

The fan light can be switched ON/OFF via the light switch on the Wall Controller. Fig.11

Changing lamp or Re-lamping:

When changing or re-lamping, for your safety, the following should be considered:

- 1) Switch OFF the light and FAN from the mains supply and allow the lamp to cool;
- 2) Remove the glass cover / diffuser by twisting anti-clockwise.
- 3) Remove the bulbs from E27 sockets. Replace with new bulbs.

Note: Refer to the specification information for replacement lamp type.

- 4) Replace the glass cover / diffuser by twisting clockwise.

CAUTION: Be careful when using a ladder for changing lamp or re-lamping.

NOTE: MECHANICAL NOISE MAY BE NOTICED ON INSTALLATION-ALLOW AT LEAST 8 HOURS SETTLING-IN PERIOD. SOME FAN WOBBLER MORE THAN OTHER—EVEN IN THE SAME MODEL.

BALANCING / WOBBLING TROUBLE SHOOTING

Please note that all ceiling fans are not the same, even in the same model—some may move more or less than others. Movement of a couple of centimetres is quite acceptable and does not suggest the fan will fall down.

Even when all blades are weighted and grouped by weight, it is impossible to eliminate wobble altogether and should not be considered a problem. Ceiling fan tend to move during operation due to the fact that they are not generally rigidly mounted

You may do the following actions to reduce the wobbling

- 1) Check all the blade mounting screws are tightened and securely.
- 2) Wobbling problems may result from inconsistent blade level. To check blade level, measure the distance from each blade tip to the ceiling.

Note: If measurements are inconsistent:

- check blade mount screws are not too tight or loose as this can cause the blade tip to be unlevelled;
 - An out of shape blade can cause wobbling. Check by removing the blade and lay it on a flat surface. A good flat blade will lay flat on the surface.
- 3) Blade tracking may be checked simply by use of a household ruler as shown in below Figure. Place the ruler vertically against the ceiling and even with the outside leading edge of a blade. Note the distance of the edge of a blade is the same as the others. Turn the blade slowly by hand to check the remaining blades. If a blade is not in alignment, the blade is either out of shape / warp or the blade screws are not evenly tighten or either loose.

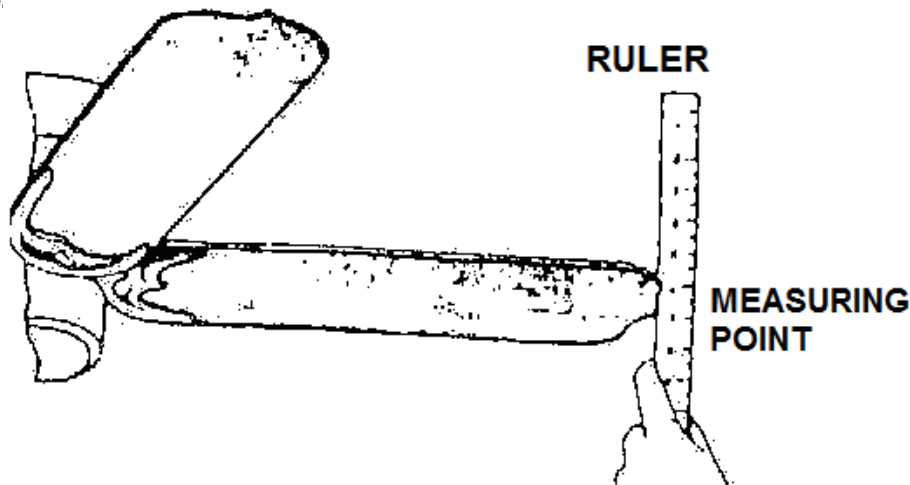


FIG 13.

BALANCING KIT

Balancing kit is provided to balance the ceiling fan on initial installation. Please refer to the instruction on how to use the balancing kit.

The balancing kit can be used to assist re-balancing should the ceiling fan becomes un-balanced again, so store your balancing kit away after first use.

FAN CARE AND WARRANTY INFORMATION

CARE & CLEANING

- Periodic cleaning of your ceiling fan is the only maintenance required. Use a soft brush or lint free cloth to avoid scratching the paint finish. Please turn off electricity power when you do so.
- Do not use water when cleaning your ceiling fan. It could damage the motor or the wooden blades and create the possibility of an electrical shock.
- Motor has permanently lubricated ball bearing. No need to oil

WARRANTY SERVICE

The manufacturer warranty covers actual faults that may develop, but NOT minor complaints, e.g. noise from motor run—ALL ELECTRIC MOTORS ARE AUDIBLE TO SOME EXTENT.

WOBBLE

- Ceiling fan tend to move during operation due to the fact that they are not generally rigidly mounted—if they were, they could generate excessive ceiling vibration and stress on their mountings.
- Movement of a couple of centimetres is quite acceptable and does not suggest the fan will fall down.
- Ceiling fans are mounted very securely on steel brackets with rubber cushioning or with ball-joints to allow free movement.
- Please note that all ceiling fans are not the same, even in the same model—some may move more or less than others.

NORMAL WEAR AND TEAR

Threaded components working slightly loose or blade carriers even slightly bent due to vigorous cleaning or bumping can cause extra wobble and noise. THIS IS NOT COVERED UNDER WARRANTY- but a little care and maintenance can reduce or prevent this problem.

BUMP-IN-THE NIGHT

This is the biggest cause for service calls, which are outside the manufacturer's warranty. If a fan has a fault, it will be noticeable at all times. Naturally, when everything is quiet at night, you will be more inclined to hear small noises, which may not be noticeable at other times. Even slightly power fluctuations, and mains frequency signals superimposed in your electricity supply for off-peak hot water control may cause a change in fan motor noise. This is normal.

FAN LIGHT

Except for a manufacturing fault, which is extremely rare, FAN LIGHTS AND GLOBES ARE NOT COVERED UNDER YOUR FAN WARRANTY. Noises and vibration etc. are often more accentuated when a fan light is fitted.

For instance a fan light glass that has not been tightened or worked loose can cause a rattle. Again, care and maintenance will reduce this

Glass of all kinds is warranty to the retailers' door and subject to the retailer checking it on delivery.

RIPPLE CONTROL

(Abstract from Hunter Pacific International)

Throughout Australia, but in particular Sydney and other parts of NSW and Queensland, electricity distributors use a remote control and switching system that is commonly called ripple control. Ripple control has existed for many years and is used for controlling demand and implementing different customer tariffs.

Our electricity supply is 240 Volts AC 50 Hertz. AC means alternating current, a type of electrical energy that flows in one direction for half a cycle, and then the opposite direction for the other half cycle. 50 Hertz means there are fifty cycles per second. For electrical and electronic products a cycle rate of 50 Hertz is very slow and therefore the wires carrying the power can also carry other signals. Ripple control systems superimpose signals on the 50 Hertz mains supply so they can be distributed throughout a local power grid. Ripple control signals are used to switch on and off high power consumption equipment such as water heaters and water supply pumps.

Electrical equipment such as televisions, toasters, fans, fluorescent and halogen lighting and some appliances may be sensitive to ripple control signals. This results in an audible buzz being generated whenever the signals are present. As different frequencies for these signals are used in different areas, products may respond in some areas and not others. Some areas have more than one ripple control system in operation and different signals may be present at different times and affect different products.

WILL I BE AFFECTED?

In areas that have ripple control installed for off-peak tariff switching (such as off-peak hot water systems) there is usually a dual tariff meter installed, or dual meters. A smaller control box marked "Zellweger" may also be present. The meter or Zellweger box will usually have the ripple control signal frequency marked on it (for example 1050 Hz). Even if you do not have off-peak equipment installed your power supply may still be affected by ripple control signals. Apart from looking for the control signal marking in your meter box there is no way of knowing in advance if you will be affected by ripple control signal noise.

WHAT CAN I DO IF I AM AFFECTED?

There are ripple control signal filters available for sale from experienced lighting and fan dealers. These filters have to be installed by a licensed electrician and each filter has to be matched to the particular signals in your area. Your dealer usually knows the signals used in their local area and can recommend the correct filter.

It is not possible to build an electric motor based product that rejects all the ripple control signals and the signals differ from location to location. If you are affected by ripple control noise in your fan or lighting product please contact your local dealer to purchase the appropriate filter. The cost of the filter and the cost of installation are not covered by the purchase price of the fan or light. Occasionally the ripple control signals are so strong they cannot be sufficiently filtered.

WARRANTY CLAIMS:

Ripple control signal noise is not covered by warranty. If you make a warranty based service call for ripple control noise, you will be charged for the call-out by the electrician if he/she does not find a genuine fault with the product.

Note: Ripple control are commonly used in NSW (New South Wales), and Queensland for off-peak tariff switching.

WARNING

- The fan must be installed so that the blades are more than 2.1 meters above the floor.
- According to law in Australia, all electrical connections & disconnection must be installed by licensed electrician. This ceiling fan is within this requirement.
- According to our warranty terms, only the fans installed by licensed electrician are covered by warranty service.

TROUBLE-SHOOTING CHECKLIST

TROUBLE	PROBABLE CAUSES	SUGGESTED REMEDY
1. Fan will not start (Warning: THE ceiling must be switched OFF, and the assistance of a licensed electrician maybe required.)	A. Fuse or circuit breaker blown.	Check main and branch circuit fuses or circuit breakers.
	B. Loose power line connections to the fan.	Check line wire connections to fan
	C. Speed controller not in correct position.	Check speed controller's position.
2. Fan Wobbles (Refer to Wobble section of the manual for further information.)	A. Fan blades are not horizontal to ceiling.	Refer to "wobbling fixing" section of manual. <ul style="list-style-type: none"> - The blade may require adjustment at the blade mounting screws; - The blade is out of shape, thus causing wobbling. New blades set will require to be replaced. Contact your local Beacon Lighting store.
	B. Blade screws are loose.	Make sure all screws are securely fastened.
	C. Blade/s are out of shape	Remove blade and lay on a flat surface to check if blades are out-of-shape. Contact agent or manufacturer for replacement blades.
3. Fan sound noisy	A. Top canopy touching ceiling.	Lower canopy from ceiling to ensure minimum 3 mm clearance.
	B. Loose fan blade screws.	Re-tighten all screws on fan blades but never over-tighten.
	C. Ceiling fan not secured against ceiling.	Re-tighten all screws in the hanging bracket or plate.
	D. Incorrect speed controller.	Change the controller to the one supplied.
	E. Audible buzzing noise. Cause by Ripple Control signals. Please refer to the Ripple Control section of this manual.	Install a Ripple Control filter. (Refer to the Ripple control information in this manual.)
4. Mechanical Noise	A. Allow at least 8 hours settling-in period.	
5. Light will not turn ON (Optional light kit ONLY)	The globe/lamp has failed.	Replace globe/lamp

WARNING: THE CEILING FAN MUST BE SWITCHED OFF, BEFORE TROUBLE SHOOTING IS PERFORMED.

NOTES TO INSTALLERS

- All electric motors, including fans make some noise and may feel hot if touched—this is not a fault.
 - Some fan wobble more than other—even in the same model.
 - Fan lights can rattle, but are not covered under warranty
 - Fan wall controller make slight buzz and get warm especially on lower setting
- These occurrences are not covered by the manufacturer's warranty.

TECHINCAL INFORMATION

AIRLIE ECO SERIES models	Rated Voltage	Rated power (motor)	Rated power lamp (for models with light only)	Lamp type
48" fan with light	230-240 VAC	65W	MAX. 2 x 15W CFL Spiral Only	E27
48" fan without light	230-240 VAC	65W	N/A	N/A
52" fan with light	230-240 VAC	65W	MAX. 2 x 15W CFL Spiral Only	E27
52" fan without light	230-240 VAC	65W	N/A	N/A

WARRANTY CONDITIONS

This product is guaranteed against electrical defects in material or manufacturing workmanship for faults when under normal domestic/residential conditions for a certain period of time from the date of purchase. This warranty covers parts and labour costs for the motor subject to the following conditions:

1. Installation being performed by a qualified licensed Electrician.

This warranty will not apply if the ceiling fan is installed by anyone other than a licensed electrician. Problems arising from incorrect installation are not covered by warranty. The cost of repairs and/or service call where the defect is due to the installation and not due to faulty material or workmanship, in accordance with wholesaler and their authorized agent, will be payable at time of repair.

2. The correct controller being fitted to the fan.

Only use the controller supplied with the fan or a genuine replacement. Using solid-state dimmer type or non-genuine controllers will void the warranty. Use of non-genuine controllers may cause the fan to operate with a loud hum and at altered speeds. Where controllers are supplied complete with light switch – do not use this switch to operate the fan. Fans connected using this switch to turn the fan on/off, will not be covered by warranty.

3. Repair work being carried out by licensed electrician only after authorisation by the wholesaler or their authorised agent to complete the repair and is subject to the supply of dated proof of purchase and installing electricians details.

4. The exclusion from warranty of any changes to ceiling fan blade or motor, plated and/or painted finishes due to climatic conditions (moisture, salt air etc) or after 6 months from the date of purchase or other circumstances deemed to be beyond the control of wholesaler or their authorized agents.

5. The warranty service does not cover:

- a. Transportation and in-transit insurance costs, if the product or parts thereof have to be returned for repair or replacement to the retailer or their authorised agent.
- b. Repair of defects caused by accident, fire, misuse, alterations modification, negligence, incorrect or incomplete installation/operation, any unauthorised person attempting to repair the ceiling fan, or acts of God.
- c. Claims or damage to furniture, carpet, wall, ceilings or any other consequential loss either direct or indirectly resulting from a faulty ceiling fan.

6. Except in the case of pre-packed integrated light models, light fittings attached to the fan are not covered by this warranty. Where the fan is pre-packed complete with a light, the light fitting will be covered by warranty to electrical defect. Tarnishing caused by climatic conditions and breakage of glass is not covered by warranty. Globes/lamps are also not covered by warranty. All light fittings attached to the fan must be installed by a qualified licensed Electrician ensuring such attachments are complete and do not affect the fan's performance. Light fittings will often accentuate noises and vibrations, which can be traced to loose glass or fittings and are not covered by warranty. Broken glass as supplied in the pre-packed light complete models is not considered an item requiring a warranty service call. Notification within 48 hours of installation is required where glasses have

found to be broken on unpacking.

7. The warranty applies to actual faults which may develop. Minor running noises are not covered. All electrical motors have some audible noise. Allow at least eight hours of operation to allow the bearings to properly seat. The fan, especially when set on low, may feel warm to touch – this is not a fault. If excessive heat is generated a service call may be required. Fan noises can vary due to slight power fluctuations and mains frequency signals for off – peak-controlled appliances. These changes are most noticeable in the quiet of night, mains frequency signals which come across as an intermittent hum (mostly at night) are out of control of the manufacturer in these cases your electricity provider should be contacted, or an electrician to fit a suitable noise filter.
8. Threaded components such as blade nuts can work slightly loose during normal operation. These should be tightened regularly to ensure the fan doesn't develop operation noises. If noises do develop, check this aspect before requesting service. This is not covered by warranty.
9. Minor variation of speed may be evident between different fans, even in the same model and is not a product fault and not covered by warranty.
10. Blades are not covered by warranty against defect in material. The replacement of the blades is not covered by the in home warranty service call. Notification within 48 hours of installation is required where blades have found to be broken on unpacking. Contact the retailer or their authorised agent who will send you a new set of blades. Each blade set is balanced so it is important to replace all blades. Blades affected by climatic conditions and by maintenance are not covered by this warranty.

This warranty applies only to Australian states and its mainland territories and New Zealand. The benefits of this warranty are in addition to any rights offered under state or territory law.

For a warranty service, contact the warranty hotline number in this booklet and advise: the model number and style, the nature of the fault, date and place of purchase. Service cannot be arranged without this information.

Please also note the following, prior to requesting service, please consult the Trouble-shooting checklist that is printed in the manual

- All electric motors, including fans, make some noise and may feel hot to touch – this is not a fault.
- Some fans wobble more than others – even the same model.
- Blades are weighed to be within tolerance to minimize wobbling. In multiple installations do not mix blades from fans.
- Fanlights can rattle and are not covered by warranty.
- Finish to the fan, including blades and light complete models, are covered by 2 Years warranty.
- Blade and glass replacements are not covered by in home servicing.

LUCCI CEILING FAN WARRANTY DETAIL

LUCCI WARRANTY HOTLINE- 1800 602 243

In the event of service being required, please call the Lucci Fan Warranty Hotline on 1800 602 243 between 9am & 5pm (EST) Monday to Friday. Please make sure you have all the ceiling fan details filled out at the end of the manual before making the call.

Every Lucci ceiling fan is thoroughly inspected and tested before being released for sale. In addition to any warranty rights or conditions under statutory regulations, Lucci warrants all of its ceiling fans against defective workmanship and faulty materials for twenty four (24) months from the date of purchase. Lucci undertakes, at its option, to repair or replace, free of charge, each product or part thereof on condition that;

1. The fan or relevant part has not been subjected to misuse, neglect, or been involved in an accident.
2. The repairs are not required as a result of normal wear and tear.
3. The product was installed by a licensed electrical contractor.
4. A copy of the original receipt of purchase is presented.
5. 12 month warranty applies when used in any non-domestic applications.
6. This warranty does not cover stains, scratch and scuff marks, or dents if the product is purchased through a factory outlet or to refurbished items.

Our goods come with guarantees that cannot be excluded under the Australian Consumer Law. You are entitled to a replacement or refund for a major failure and compensation for any other reasonably foreseeable loss or damage. You are also entitled to have the goods repaired or replaced if the goods fail to be of acceptable quality and the failure does not amount to a major failure.

Lucci Design cannot be held responsible for any repair other than those carried out by it or one of its Authorised Service Agents. Please keep this warranty information in a safe place. This information must be produced in the event of service being required.

Distributed by:

Beacon Lighting
140 Fulton Drive
Derrimut, Victoria, 3030
Australia
Ph +613 9368 1000
Fax +613 9360 9332
Email: warranty@beaconlighting.com.au

CEILING FAN WARRANTY INFORMATION

LUCCI WARRANTY HOTLINE- 1800 602 243

Complete and retain this form for your personal records and warranty purposes.

NAME.....

ADDRESS.....

.....POSTCODE.....

MODEL NUMBER.....

PO NUMBER or DATECODE (PO# + DATECODE Sticker here)

DATE OF PURCHASE.....

INSTALLING LICENSED ELECTRICIAN.....

.....
LICENCE No.....

ATTACH PROOF OF PURCHASE HERE

THIS COMPLETED DETAIL PAGE SHOULD BE PRODUCED AND FAXED TO THE WHOLESALER OR THEIR AUTHORISED AGENTS BEFORE OBTAINING WARRANTY SERVICE