

**LUCCI
FUTURA ECO DIMMABLE LED
CEILING FAN**

- **INSTALLATION**
- **OPERATION**
- **MAINTENANCE**
- **WARRANTY INFORMATION**

CAUTION
READ INSTRUCTIONS CAREFULLY FOR SAFE
INSTALLATION AND FAN OPERATION.

THANK YOU FOR PURCHASING

Thank you for purchasing this quality Lucci product. To ensure correct function and safety, please read all instructions before using the product and keep all instructions for future reference

SAFETY PRECAUTIONS

1. In Europe: This appliance can be used by children aged from 8 years and above and persons with reduced physical, sensory or mental capabilities or lack of experience and knowledge if they have been given supervision or instruction concerning the use of the appliance in a safe way and understand the hazards involved. Cleaning and maintenance shall not be undertaken by children without supervision.
2. In Australia: The appliance is not intended for use by persons (including children) with reduced physical, sensory or mental capabilities, or lack of experience and knowledge, unless they have been given supervision or instruction concerning the use of the appliance by a person responsible for their safety.
3. Children should be supervised to ensure that they do not play with the appliance.
4. An all-pole disconnection switch must be incorporated into the fixed wiring, in accordance with local wiring rules.

IN AUSTRALIA

WARNING:

FOR SAFE USE OF THIS FAN AN ALL-POLE DISCONNECTION MUST BE INCORPORATED INTO THE FIXED WIRING IN ACCORDANCE WITH THE WIRING RULES.

As outline in clause 7.12.2 of AS/NZS 60335-1 for meeting the minimum electrical safety of this standard.

Please note warranty will be void if installation is without a means for an all-pole disconnection incorporated in the fixed wiring in accordance with the wiring rules.

Example: If a fan is connected to a circuit that can be isolated via an all-pole safety switch at the switchboard, then this is considered to be an all-pole disconnection to the ceiling fan electrical circuit, meeting the requirements of clause 7.12.2 of AS/NZS 60335.1.



A single-pole switch also must be placed in the same room as the fan as per local wiring regulations AS3000



5. Do not dispose of electrical appliances as unsorted municipal waste, use separate collection facilities. Contact your local government for information regarding the collection systems available. If electrical appliances are disposed of in landfills or dumps, hazardous substances can leak into the ground water and get into the food chain, damaging your health and well-being.
6. The structure to which the fan is to be mounted must be capable of supporting a weight of 40kg.
7. The fan should be mounted so that the blades are at least 2.3 m above the floor in Europe or 2.1 m above the floor in Australia.
8. This fan is suitable for indoor and outdoor areas provided the fan is fully undercover with a minimum of 2 walls. The ceiling fan must be positioned in a location protected from water, wind, dust and salt. Exposure to these elements will void the warranty. Mounting the fan in a situation where it is subject to water or moisture is dangerous.
9. Only a licensed electrician should execute the installation.



BEFORE INSTALLATION

Unpack your ceiling fan carefully. Remove all parts and hardware. Examine all parts, you should have the following:

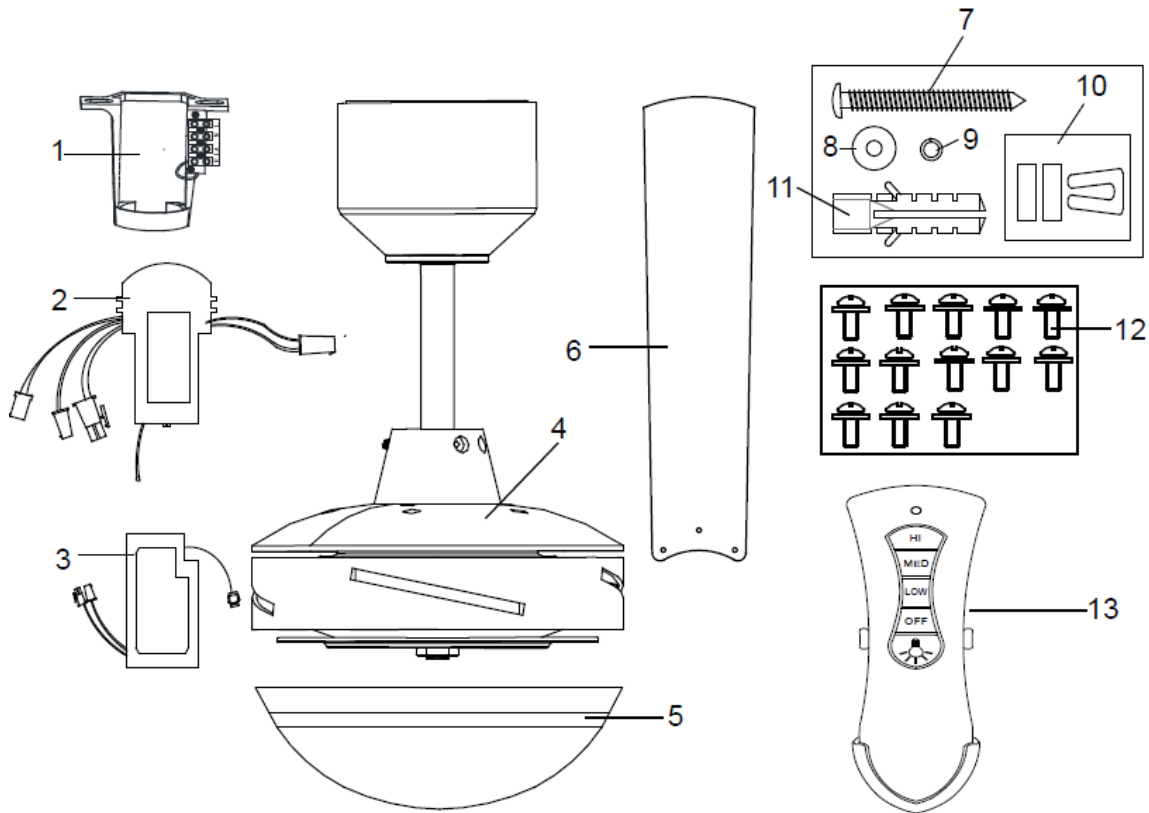


Fig. 1

- 1 Hanger bracket x 1
- 2 Remote receiver x 1
- 3 LED driver x 1
- 4 Pre-assembled fan motor, down rod and canopy cover x 1
- 5 LED light kit x 1
- 6 Blades x 4
- 7 Screw for hanger bracket x 2
- 8 Flat washer x 2
- 9 Spring washer x 2
- 10 Balancing kits x 1 set
- 11 Wall plugs for screw x 2
- 12 Motor screws for blades x 13
- 13 Remote hand set x 1 set



INSTALLING THE MOUNTING BRACKET

- The ceiling fan must be installed in a location so that the blades are spaced 300mm from the tip of the blade to the nearest objects or walls.
- Secure the hanging bracket to the ceiling joist or structure that is capable of carrying a load of at least 40kg, with two long screws provided. Ensure at least 30mm of the screw is threaded into the support.

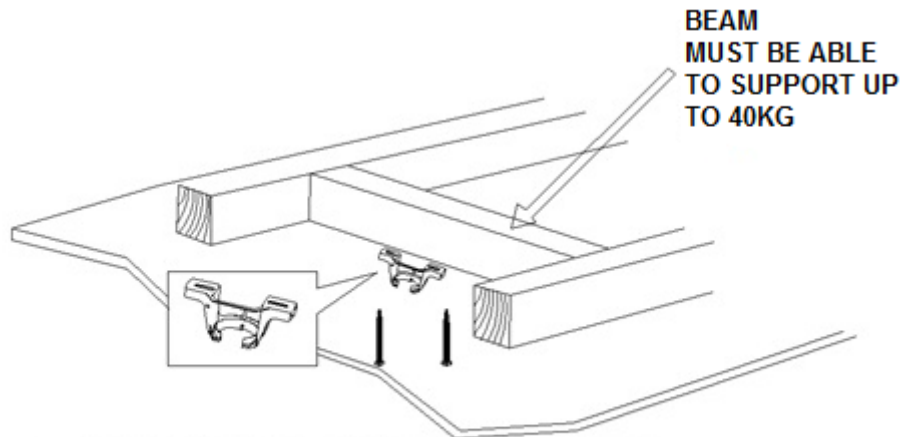


Fig. 2

NOTE: THIS PICTURE IS FOR REPRESENTATION ONLY AND DOES NOT REPRESENT THE ACTUAL BRACKET.

NOTE: The bracket screws provided are for use with wooden structures only. For structures other than wood, the appropriate screw type MUST be used.

Angled ceiling Installation

This fan hanging system supports a maximum 20 degree angled ceiling installation.

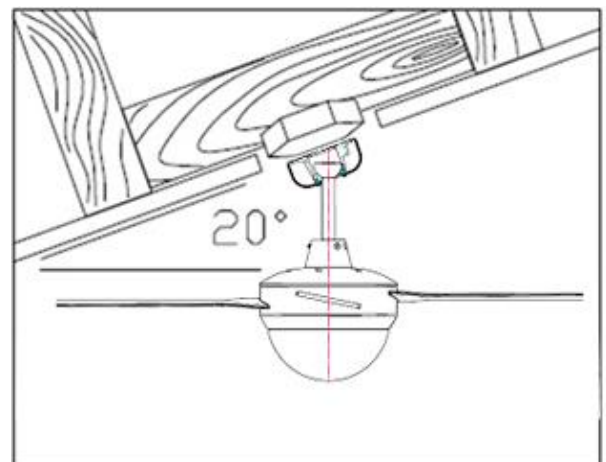


Fig. 3



INSTALLING THE FAN

- Carefully lift the fan and place the down rod ball assembly into the spacing allocated in the mounting bracket and lock the ball into place. Insert the LED driver into the lower layer of the mounting bracket and then insert the remote receiver into the top layer of the mounting bracket. **Fig. 4**

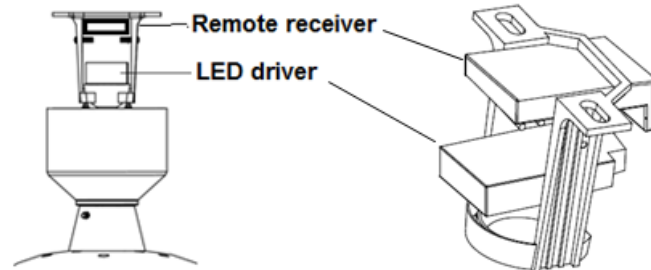


Fig. 4

- Refer to the wiring diagram provided for Electrical Connection/installation. Fig. 5
WARNING: To prevent electrical shock or risk of fire, do not attempt to perform the electrical connection wiring yourself. All electrical connections must be carried out by a licensed electrician.
NOTE: An additional all pole disconnection switch must be included in the fixed wiring.

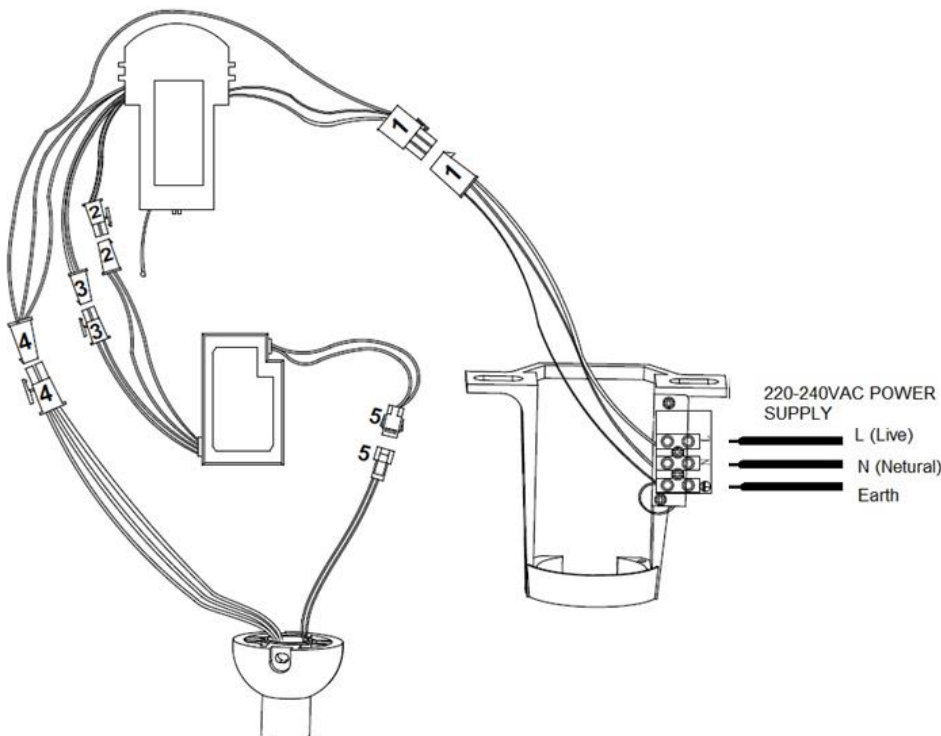


Fig. 5

- After completing the electrical wiring at the mounting bracket terminal and connecting the remote receiver power input wires and fixed wiring via the 4-ports quick connectors (1); connect the LED driver power input wires and remote receiver power output wires via the 2-ports quick connectors (2); connect the LED driver PWM signal input wires and remote receiver PWM signal output wires via the 2-ports quick connectors (3); connect the remote receiver fan output and motor input wires via the 4-ports quick connectors (4); also connect the LED driver output wires and LED light wires via the 2-ports quick connectors (5). **Fig. 5**

- Cover the mounting bracket with the canopy cover. Ensure all electrical wirings is tucked inside the canopy and that it is not damaged during this step, and secure with screws. **Fig. 6**

Finally attach the canopy cover to the canopy screws by turning it clockwise. **Fig. 6**



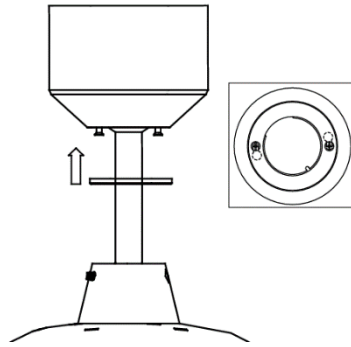


Fig. 6

5. Insert the blades through the side slot of the motor and align with the 3 holes. If the holes do not align, the blade is upside down. The blade should fit securely and the screws should slot into the blade screw holes. Insert the screw driver with screw through the key hole of the lamp bracket. Secure the blades with 3 blade screws. Ensure all screws are tightened evenly to reduce the chance of warping or unbalancing. Repeat this process for all blades. **Fig. 7**

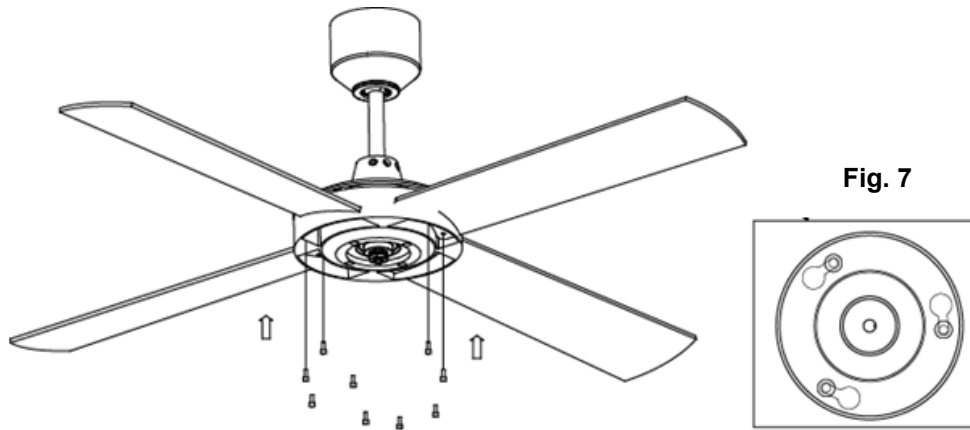


Fig. 7

key hole of lamp bracket

6. Attach the LED light kit to the lamp base and connect wires to the LED light kit via the quick connectors. Insert the housing assembly screws into the larger ends of key hole slots and turn the LED light kit body clockwise until the housing assembly screws are firmly situated in the narrow ends of the keyhole slots. **Fig. 8**

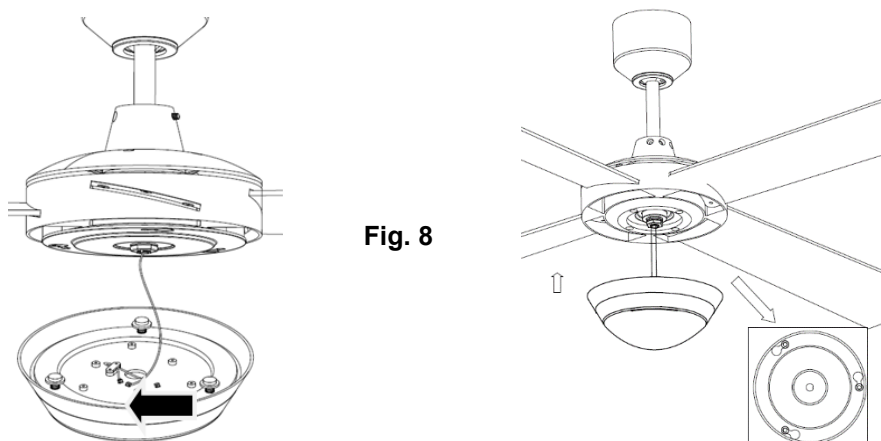


Fig. 8



USING YOUR CEILING FAN

REMOTE CONTROL

Your ceiling fan is controlled via the remote control. There are 4 buttons (HI, MED, LOW, OFF) to control the fan speed and one button to control light on/off and dimming function. **Fig. 11**

Before operating the remote, the following must be considered.

- 2 x AAA 1.5V (size) batteries are required to operate the remote control. Remove the battery cover from the back of the remote and insert 2 x AAA batteries. Ensure the polarities are correct as shown in the battery compartment. (Batteries not included.)
- The remote (transmitter) and receiver must be configured so that communication between each other is paired up. This is achieved by setting the DIP switch on the receiver and remote on the same setting.

Note: The DIP switch assembly has 4 switches which can be setup to 16 different transmitting code combinations. This is practical when there is more than 1 remote/receiver pair operating locally or in the same room.

Note: To access the receiver DIP switches, remove the DIP switch cover.



Fig. 9 Remote battery compartment

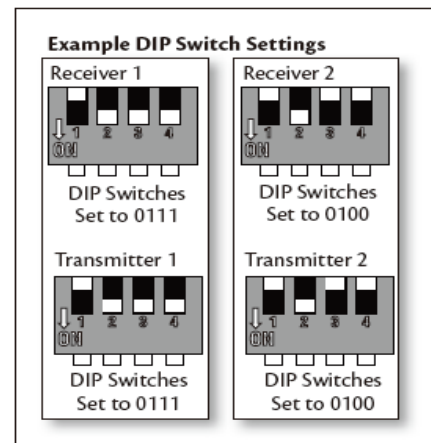


Fig. 10 Receiver DIP switch

OPERATING THE REMOTE:

Before you start using the remote, take the time to read through this section and get familiar with the buttons and function of each button.

1. LED Indicator

The red LED indicator on the top of the transmitter will flash when the buttons are active.

BUTTONS ON THE REMOTE

2. **HI:** Press the button to set fan running at High speed.
3. **MED:** Press the button to set fan running at Medium speed.
4. **LOW:** Press the button to set fan running at Low speed.
5. **OFF:** Press the button to turn OFF the fan.
6. : Press the button to turn ON/ OFF the light and press and hold the button to access the light dimming function.



Fig. 11

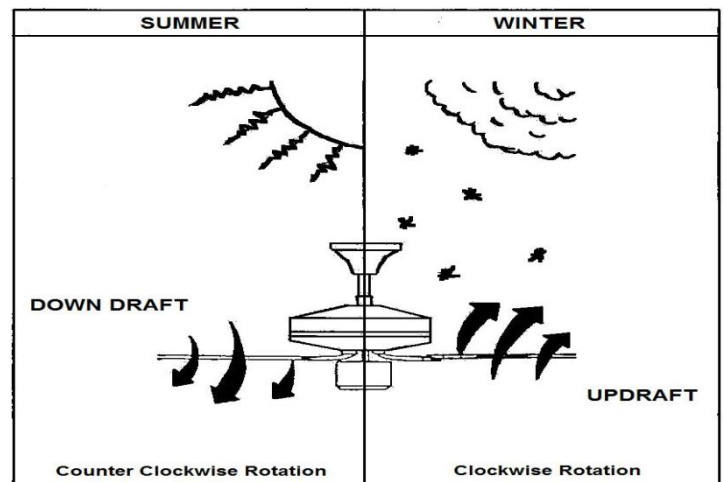
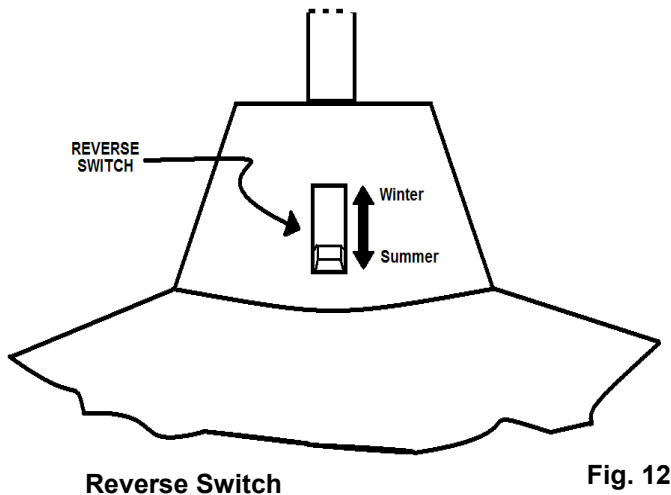
The remote has memory function. If the fan or light is turned off by the isolating switch, it will memorise and recover the last status when turned on next.

REVERSING SWITCH

Your ceiling fan can operate in either summer or winter mode.

SUMMER Mode: The reverse switch shall be in the “down” (SUMMER) position to make the fan rotate in an anticlockwise direction. The airflow will be directed downwards, for cooling in summer.

WINTER Mode: The reverse switch shall be in the “up” (WINTER) position to make the fan rotate in a clockwise direction. The airflow will be directed upwards assisting in the circulation of warm air, for energy conservation in winter.



AFTER INSTALLATION

WOBBLE:

NOTE: ceiling fans tend to move during operation due to the fact that they are mounted on a rubber grommet. If the fan was mounted rigidly to the ceiling it would cause excessive vibration. Movement of a few centimetres is quite acceptable and DOES NOT suggest any problem.

TO REDUCE THE FAN WOBBLE: please check that all screws which fix the mounting bracket and down rod are secure.

BALANCING KIT: A balancing kit is provided to balance the ceiling fan on initial installation. Please refer to the instruction on how to use the balancing kit. The balancing kit can be used to assist re-balancing should the ceiling fan become un-balanced again. Store your balancing kit away after installation for future use if required.

NOISE:

When it is quiet (especially at night) you may hear occasional small noises. Slight power fluctuations and frequency signals superimposed in the electricity for off-peak hot water control, may cause a change in fan motor noise. This is normal. Please allow a 24-hour “settling -in” period, most noises associated with a new fan disappear during this time.

The manufacturer’s warranty covers actual faults that may develop and NOT minor complaints such as hearing the motor run – All electric motors are audible to some extent.

CARE & CLEANING

- Periodic cleaning of your ceiling fan is the only maintenance required. Use a soft brush or lint free cloth to avoid scratching the paint finish. Please turn off electricity power when you do so.
- Do not use water when cleaning your ceiling fan. It could damage the motor or the blades and create the possibility of an electrical shock.
- The motor has a permanently lubricated ball bearing. There is no need to oil.

NOTE: Always turn OFF the power at the mains switch before attempting to clean your fan.

TECHNICAL INFORMATION

Futura ECO LED SERIES models	Rated Voltage	Rated power (motor)	Rated power lamp	Lamp type
48 inch blade fan only	220-240 VAC	60W	18W,LED Life time: 30,000H	LED Driver Model No.: KLC-016-031A1
52 inch blade fan only	220-240 VAC	70W	18W, LED Life time: 30,000H	LED Driver Model No.: KLC-016-031A1



This fan is suitable for indoor and outdoor areas provided the fan is fully undercover with a minimum of 2 walls. The ceiling fan must be positioned in a location protected from water, wind, dust and salt. Exposure to these elements will void the warranty.

LUCCI CEILING FAN WARRANTY DETAIL

LUCCI WARRANTY HOTLINE- 1800 602 243

THIS WARRANTY IS VALID IN AUSTRALIA ONLY

In the event of service being required, please call the Lucci Fan Warranty Hotline on 1800 602 243 between 9am & 5pm (EST) Monday to Friday. Please make sure you have all the ceiling fan details filled out at the end of the manual before making the call.

Every Lucci ceiling fan is thoroughly inspected and tested before being released for sale. In addition to any warranty rights or conditions under statutory regulations, Lucci warrants all of its ceiling fans against defective workmanship and faulty materials for twenty four (24) months from the date of purchase. Lucci undertakes, at its option, to repair or replace, free of charge, each product or part thereof on condition that;

1. The fan or relevant part has not been subjected to misuse, neglect, or been involved in an accident.
2. The repairs are not required as a result of normal wear and tear.
3. The product was installed by a licensed electrical contractor.
4. A copy of the original receipt of purchase is presented.
5. 12 month warranty applies when used in any non-domestic applications.
6. This warranty does not cover stains, scratch and scuff marks, or dents if the product is purchased through a factory outlet or to refurbished items.

Our goods come with guarantees that cannot be excluded under the Australian Consumer Law. You are entitled to a replacement or refund for a major failure and compensation for any other reasonably foreseeable loss or damage. You are also entitled to have the goods repaired or replaced if the goods fail to be of acceptable quality and the failure does not amount to a major failure.

Lucci Design cannot be held responsible for any repair other than those carried out by it or one of its Authorised Service Agents. Please keep this warranty information in a safe place. This information must be produced in the event of service being required.

Distributed by:

Beacon Lighting
140 Fulton Drive
Derrimut, Victoria, 3030
Australia
Ph +613 9368 1000
Fax +613 9360 9332
Email: warranty@beaconlighting.com.au



CEILING FAN WARRANTY INFORMATION

LUCCI WARRANTY HOTLINE- 1800 602 243

Complete and retain this form for your personal records and warranty purposes.

NAME.....

ADDRESS.....

.....POSTCODE.....

MODEL NUMBER.....

PO NUMBER or DATECODE (PO# + DATECODE Sticker here)

DATE OF PURCHASE.....

INSTALLING LICENSED ELECTRICIAN.....

.....

LICENCE No.....

ATTACH PROOF OF PURCHASE HERE

THIS COMPLETED DETAIL PAGE SHOULD BE PRODUCED AND FAXED TO THE WHOLESALE OR THEIR AUTHORISED AGENTS BEFORE OBTAINING WARRANTY SERVICE

